

Vaportight Combination Stations VGN Series

Weatherproof Type
NEMA 3,3R,4,4X,7,9

© Rating : Max. 250 Volt, Max. 5 Ampere.

❖ Application

VGN Series combination stations are used in:

- as enclosures for Combination motor starters or integrated type combination line starters.
- as control boxes or stands which incorporate various control switches, pilot lamps, ampere or volt meters, selector switches, push button switches.
- indoor or outdoor areas.

❖ Standard Finish

- MUNSELL No. 7.5BG 6/1.5
- If you want another color, contact us please.

❖ Features

- The box body and cover are made of cast aluminium alloy.
- They are Combination design and have enough mechanical strength.
- The cover fixing bolts are made of stainless steel.
- Light weight design for easy of installation and maintenance.
- The main body and cover are secured with stainless steel bolts through a synthetic rubber gasket, retaining high corrosion resistant and watertightness.
- The conduit entries can be arranged in desired positions.



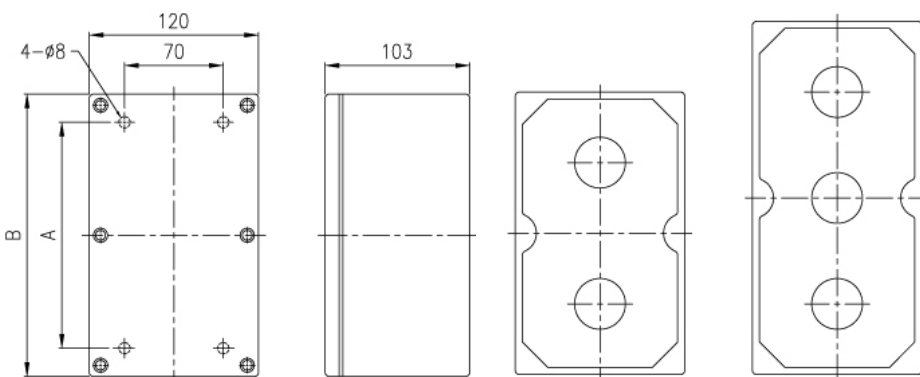
VGN200



VGN400

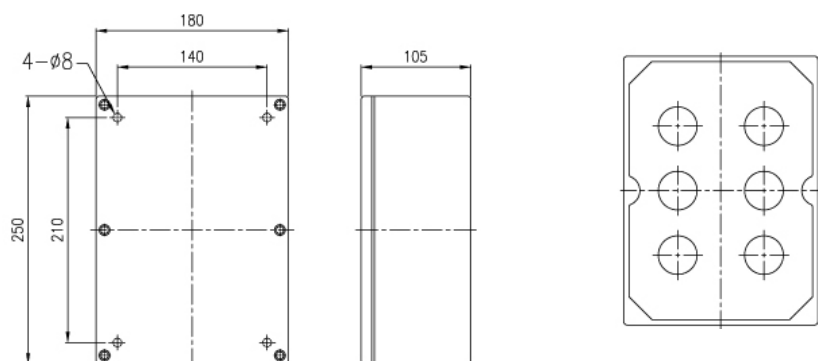


❖ 2, 3 Gang



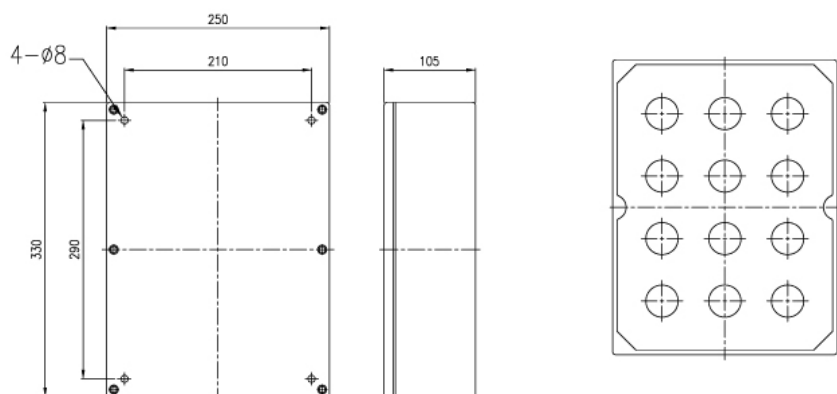
TYPES	Dimensions(mm)	
	A	B
VGN200	160	200
VGN300	186	216

❖ 4, 5, 6 Gang



TYPES	Dimensions(mm)	
	A	B
VGN400	210	250
VGN500		
VGN600		

❖ 8, 10, 12 Gang



TYPES	Dimensions(mm)	
	A	B
VGN800	290	330
VGN1000		
VGN1200		

❖ Ordering Information

<u>VGN</u>	<u>200</u>	<u>T</u>
①	②	③

① VGN Combination Stations

② Gang number

200 Series = 2 Gang	600 Series = 6 Gang
300 Series = 3 Gang	800 Series = 8 Gang
400 Series = 4 Gang	1000 Series = 10 Gang
500 Series = 5 Gang	1200 Series = 12 Gang

③ Style Type

None : Wall Mounting Type
T : Standing Type

