

H.I.D Lighting Fixtures EU Series

Wet Locations
Factory Sealed
NEMA 3, 3R, 7

❖ Type of Explosion-proof
Flameproof (Ex d IIB T4)
Dust Ignition-proof (Ex DP II 12)

❖ Application

EU Series lighting fixtures are used:

- in tunnels, building entrances and similar locations where moisture, dirt, chemicals or rough usage are a problem.
- in heavy process industries having environments where flammable or explosive vapors or gases, or where combustible dusts are present.
- in areas where combustible dusts and flammable vapors are present simultaneously.
- in hazardous areas, both indoors and outdoors where long life and low maintenance costs are desired.
- where high light output is needed but space is limited.
- where ignitable concentrations of flammable gases, vapors, liquids or dusts can exist some of the time under normal operating conditions.



< EU >

❖ Features

- Lighting unit and ballast are constructed separately so as to protect the ballast from the heat of the lamp.
- Lighting unit is screwed onto the top of the mounting box and the ballast to the side.
- Globe assembly is securely hinged to the body.
- Ballast is a high quality one maintaining much safety on strength of enclosure, weatherproof and temperature rise.
- Mounting box has four-way conduit entries and a large access cover for wiring.

❖ Standard Finish

- MUNSELL No. 7.5BG 6/1.5
- If you want another color, contact us please.

❖ Standard Materials

- Enclosure : Die casting aluminium
- Globe : Heat resistant hard glass
- Inner Reflector : High purity aluminium
- External Hardware : Stainless steel
- Mounting Box : Cast aluminium alloy

❖ Certification

- Certified by KOSHA (Korea Occupational Safety & Health Agency), KGS (Korea Gas Safety Corporation), and the others.

❖ Compliance

- IEC 60079-0, 1
- NEMA 3, 3R, 7
- IP 55

❖ Technical Data

Electrical Rating	
Rated Voltage	AC110V/ 220V/ 240V (*See Below)
Rated Wattage	50W/ 70W/ 100W
Rated Frequency	50Hz/ 60Hz
Entry Size	1/2", 3/4", 1"

* Also you can order various voltage :
120V/ 208V/ 277V/ 460V

❖ Weight

Mounting Type	Catalog No.	Weight
Ceiling	EUNL 32210	8.6 kg

⇒ If you need more information, contact us please.

❖ Ordering Number

Lamp	Watt	Volts	Pendant	Ceiling	90° Bracket	40° Bracket	Certification
High Pressure Sodium	50	100-120	EUNL 31105	EUNL 32105	EUNL 33105	EUNL 34105	Ex d IIB T3
		200-220	EUNL 31205	EUNL 32205	EUNL 33205	EUNL 34205	
	70	100-120	EUNL 31107	EUNL 32107	EUNL 33107	EUNL 34107	
		200-220	EUNL 31207	EUNL 32207	EUNL 33207	EUNL 34207	
	100	100-120	EUNL 31110	EUNL 32110	EUNL 33110	EUNL 34110	
		200-220	EUNL 31210	EUNL 32210	EUNL 33210	EUNL 34210	
Metal Halide	100	100-120	EUHL 31110	EUHL 32110	EUHL 33110	EUHL 34110	Ex d IIB T4
		200-220	EUHL 31210	EUHL 32210	EUHL 33210	EUHL 34210	
Mercury Vapor	100	100-120	EUML 31110	EUML 32110	EUML 33110	EUML 34110	
		200-220	EUML 31210	EUML 32210	EUML 33210	EUML 34210	

* For Pole type, see pole section (2L-51)

❖ Ordering Information

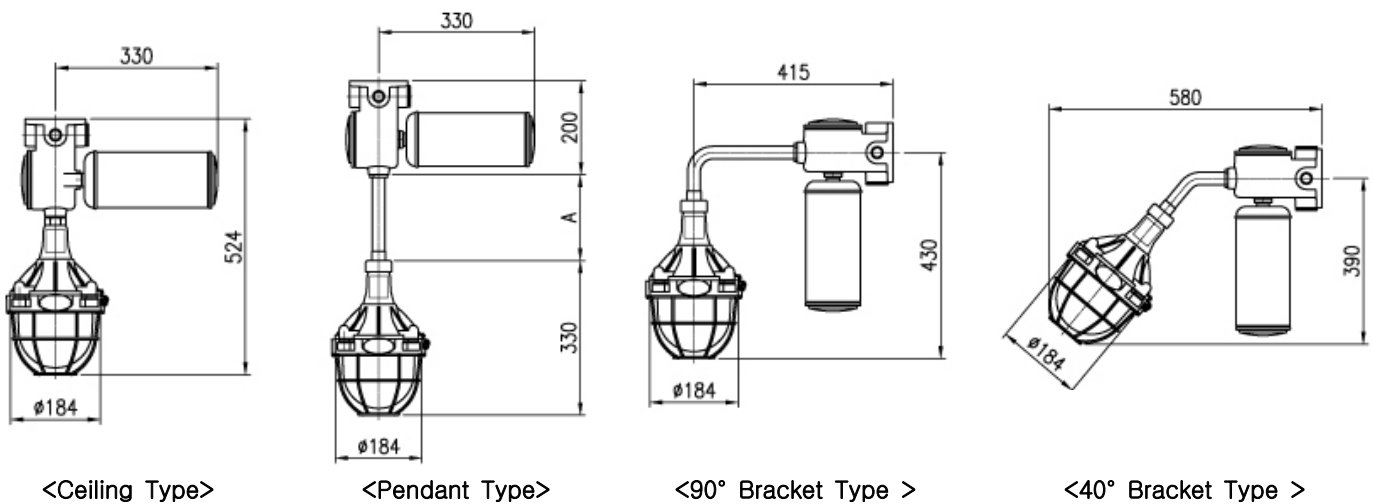
EU	NL	3	2	1	10
①	②	③	④	⑤	⑥

- | | |
|---|---|
| <p>① EU Lighting Fixture</p> <p>② Lamp Type
NL - H.P.Sodium
HL - Metal Halide
ML - Mercury Vapor</p> <p>③ Type of Lighting Fixture
3 - EUL Type</p> <p>⑥ Wattage (W)
05 - 50, 07 - 70, 10 - 100</p> | <p>④ Mounting Type
1 - Pendant
2 - Ceiling
3 - 90° Bracket
4 - 40° Bracket</p> <p>⑤ Voltage (V)
1 - 100-120
2 - 200-220</p> |
|---|---|

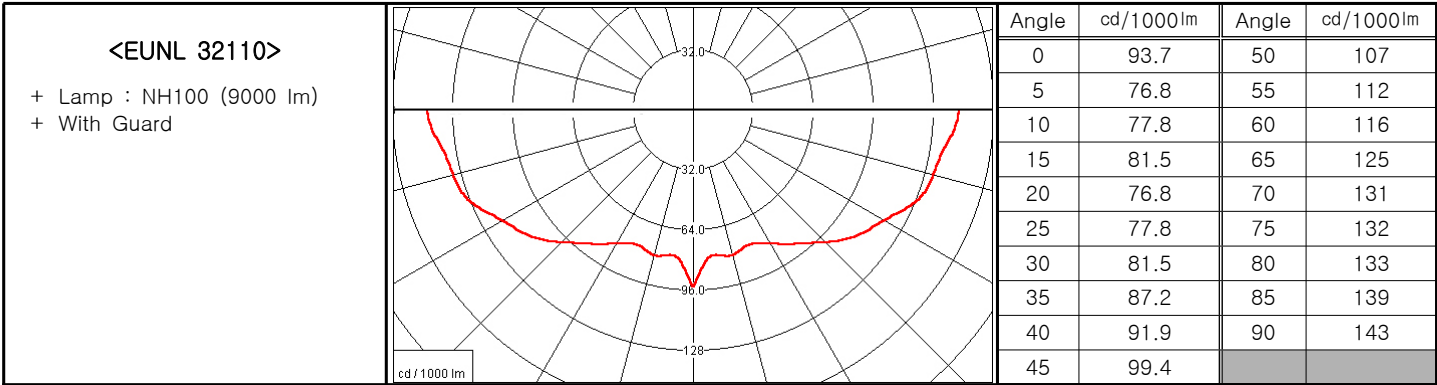
❖ Temperature Performance Data

Lamp		Ambient Temp (°C)	Flameproof "d"	Dust-Ignition "DP"
Type	Watt.			
H.I.D	50	40	T4	12
		55	-	-
	70	40	T4	12
		55	-	-
	100	40	T4	12
		55	-	-

❖ Dimension

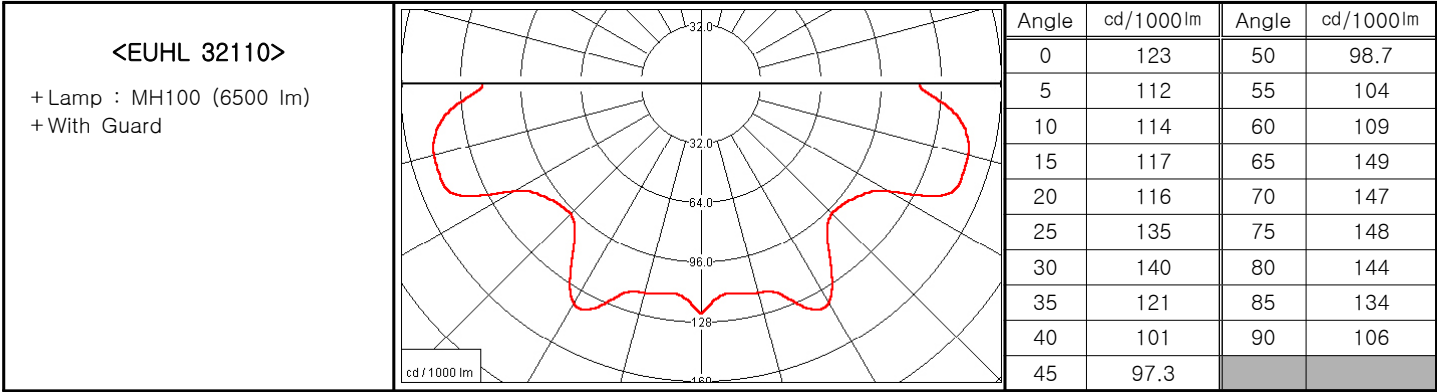


❖ Photometric Data



Coefficients of Utilization – Zonal Cavity

Multipliers (For use with candlepower curves only)		%Effective Ceiling Cavity Reflectance(ρ_{cc})	80			70			50			30			10			0																																																																																																																																																																										
		%Wall Reflectance(ρ_w)	50	30	10	50	30	10	50	30	10	50	30	10	50	30	10	50	30	10	50	30	10																																																																																																																																																																					
Lamp Watts	Conversion Factor	Room Cavity Ratio RCR	20% Effective Floor Cavity Reflectance																																																																																																																																																																																									
		0	.85	.85	.85	.83	.83	.83	.79	.79	.79	.76	.76	.76	.73	.73	.73	.71	1	.71	.67	.63	.69	.66	.62	.66	.63	.60	.63	.61	.59	.61	.59	.57	.55	2	.59	.53	.48	.58	.52	.47	.55	.50	.46	.52	.48	.45	.50	.47	.44	.42	3	.50	.43	.37	.49	.42	.37	.46	.41	.36	.44	.39	.35	.42	.38	.34	.33	4	.43	.36	.30	.42	.35	.30	.40	.34	.29	.38	.33	.29	.37	.32	.28	.26	5	.38	.30	.25	.37	.30	.25	.35	.29	.24	.34	.28	.24	.32	.27	.24	.22	6	.34	.26	.21	.33	.26	.21	.31	.25	.21	.30	.25	.20	.29	.24	.20	.19	7	.30	.23	.18	.30	.23	.18	.28	.22	.18	.27	.22	.18	.26	.21	.18	.16	8	.27	.21	.16	.27	.20	.16	.26	.20	.16	.25	.20	.16	.24	.19	.16	.14	9	.25	.19	.14	.25	.18	.14	.24	.18	.14	.23	.18	.14	.22	.17	.14	.12	10	.23	.17	.13	.23	.17	.13	.22	.16	.13	.21	.16	.13	.21	.16	.13	.11



Coefficients of Utilization – Zonal Cavity

Multipliers (For use with candlepower curves only)		%Effective Ceiling Cavity Reflectance(ρ_{cc})	80			70			50			30			10			0																																																																																																																																																																										
		%Wall Reflectance(ρ_w)	50	30	10	50	30	10	50	30	10	50	30	10	50	30	10	50	30	10	50	30	10																																																																																																																																																																					
Lamp Watts	Conversion Factor	Room Cavity Ratio RCR	20% Effective Floor Cavity Reflectance																																																																																																																																																																																									
		0	.95	.95	.95	.93	.93	.93	.89	.89	.89	.85	.85	.85	.82	.82	.82	.80	1	.80	.76	.72	.78	.74	.71	.75	.72	.69	.72	.69	.67	.69	.67	.65	.63	2	.67	.61	.55	.66	.60	.54	.63	.58	.53	.60	.56	.52	.57	.54	.51	.49	3	.57	.50	.44	.56	.49	.43	.54	.47	.42	.51	.46	.41	.49	.45	.41	.39	4	.50	.42	.36	.49	.41	.35	.47	.40	.35	.45	.39	.34	.43	.38	.34	.32	5	.44	.36	.30	.43	.36	.30	.41	.35	.29	.40	.34	.29	.38	.33	.29	.27	6	.40	.32	.26	.39	.31	.26	.37	.30	.25	.36	.30	.25	.34	.29	.25	.23	7	.36	.28	.23	.35	.28	.23	.34	.27	.22	.33	.27	.22	.31	.26	.22	.20	8	.33	.25	.20	.32	.25	.20	.31	.25	.20	.30	.24	.20	.29	.24	.20	.18	9	.30	.23	.18	.30	.23	.18	.29	.22	.18	.28	.22	.18	.27	.22	.18	.16	10	.28	.21	.17	.27	.21	.17	.27	.21	.17	.26	.20	.16	.25	.20	.16	.15