

Tumbler Switches ETS Series

Wet Locations
NEMA 3,3R,4,4X,7,9

❖ Application

ETS Series are used ;

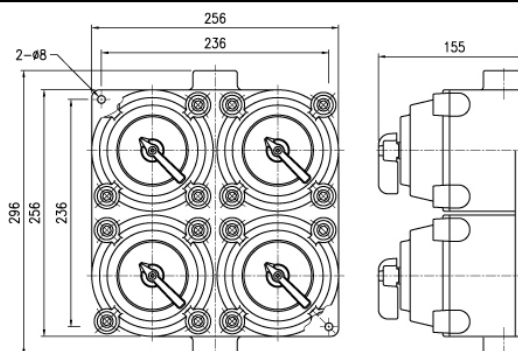
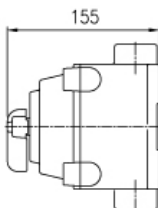
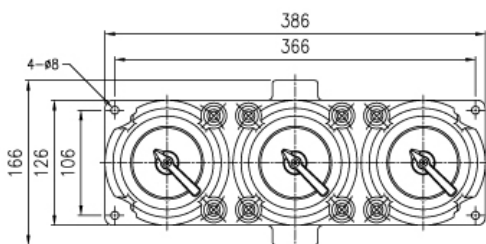
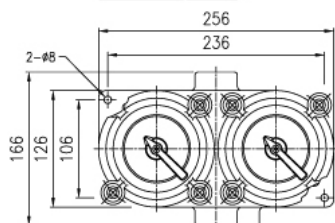
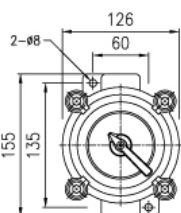
- in locations, made hazardous, due to the presence of flammable vapors, gases or highly combustible dusts.
- to provide manual starting and stopping and in the case of ETS units with heaters motor running protection.
- for installation at petroleum refineries, chemical and petrochemical plants and in other process industry facilities where similar hazards exist.
- Max. 250 Volt, Max. 20 Ampere.

❖ Standard Finish

- MUNSELL No. 7.5BG 6/1.5
- If you want another color, contact us please.

❖ Type of Explosion-proof
Flameproof (Ex d IIC T6)

❖ Circular Tumbler Switch



No. of Gangs	Rated Current (A)	Polarity	Catalog Number			
			Terminal		Through Way	
			1/2"	3/4"	1/2"	3/4"
1	10A	1Pole	ETS 51111	ETS 51113	ETSC 51111	ETSC 51113
		2Pole	ETS 51211	ETS 51213	ETSC 51211	ETSC 51213
		3Pole	ETS 51311	ETS 51313	ETSC 51311	ETSC 51313
	20A	1Pole	ETS 51121	ETS 51123	ETSC 51121	ETSC 51123
		2Pole	ETS 51221	ETS 51223	ETSC 51221	ETSC 51223
		3Pole	ETS 51321	ETS 51323	ETSC 51321	ETSC 51323
2	10A	1Pole	ETS 52111	ETS 52113	ETSC 52111	ETSC 52113
		2Pole	ETS 52211	ETS 52213	ETSC 52211	ETSC 52213
		3Pole	ETS 52311	ETS 52313	ETSC 52311	ETSC 52313
	20A	1Pole	ETS 52121	ETS 52123	ETSC 52121	ETSC 52123
		2Pole	ETS 52221	ETS 52223	ETSC 52221	ETSC 52223
		3Pole	ETS 52321	ETS 52323	ETSC 52321	ETSC 52323
3	10A	1Pole		ETS 53113		ETSC 53113
		2Pole		ETS 53213		ETSC 53213
		3Pole		ETS 53313		ETSC 53313
	20A	1Pole		ETS 53123		ETSC 53123
		2Pole		ETS 53223		ETSC 53223
		3Pole		ETS 53323		ETSC 53323
4	10A	1Pole		ETS 54113		ETSC 54113
		2Pole		ETS 54213		ETSC 54213
		3Pole		ETS 54313		ETSC 54313
	20A	1Pole		ETS 54123		ETSC 54123
		2Pole		ETS 54223		ETSC 54223
		3Pole		ETS 54323		ETSC 54323

❖ Features

- This tumbler switch is designed to take larger insulation clearance and durability. The tumbler switch has metallic lever with roller to ensure long life under rough operation.
- Outside lever shaft is sealed for flameproof, as well as waterproof, to ensure smooth operation.

❖ Standard Materials

- Main Box : Cast aluminum alloy
- Surface Cover : Die casting aluminium

❖ Option

- Sunshade Cover

* ETS 4 Gang Type is order made. contact us please.

❖ Type of Explosion-proof
Flameproof (Ex d IIB T6)
Class I Group CD Class II Group EFG
Dust Ignition-proof (Ex DP II 12)



❖ Option

- Sunshade Cover

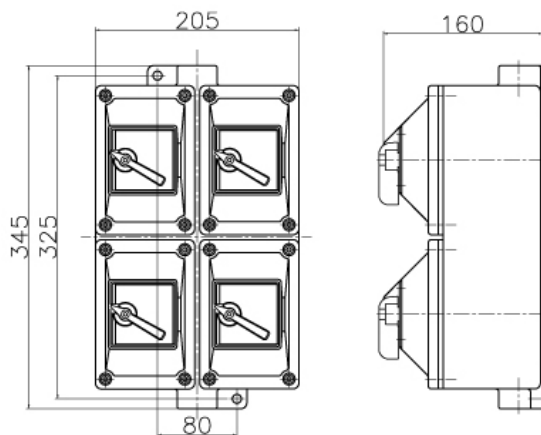
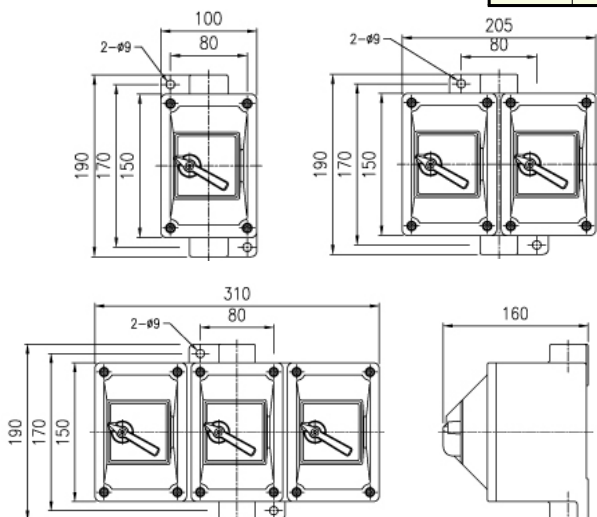
❖ UL File No. E164350

- UL Model name is ETS 5.

❖ Rectangular Tumbler Switch



No. of Gangs	Rated Current (A)	Polarity	Catalog Number			
			Terminal		Through Way	
			1/2"	3/4"	1/2"	3/4"
1	10A	1Pole	ETS 61111	ETS 61113	ETSC 61111	ETSC 61113
		2Pole	ETS 61211	ETS 61213	ETSC 61211	ETSC 61213
		3Pole	ETS 61311	ETS 61313	ETSC 61311	ETSC 61313
	20A	1Pole	ETS 61121	ETS 61123	ETSC 61121	ETSC 61123
		2Pole	ETS 61221	ETS 61223	ETSC 61221	ETSC 61223
		3Pole	ETS 61321	ETS 61323	ETSC 61321	ETSC 61323
2	10A	1Pole	ETS 62111	ETS 62113	ETSC 62111	ETSC 62113
		2Pole	ETS 62211	ETS 62213	ETSC 62211	ETSC 62213
		3Pole	ETS 62311	ETS 62313	ETSC 62311	ETSC 62313
	20A	1Pole	ETS 62121	ETS 62123	ETSC 62121	ETSC 62123
		2Pole	ETS 62221	ETS 62223	ETSC 62221	ETSC 62223
		3Pole	ETS 62321	ETS 62323	ETSC 62321	ETSC 62323
3	10A	1Pole		ETS 63113		ETSC 63113
		2Pole		ETS 63213		ETSC 63213
		3Pole		ETS 63313		ETSC 63313
	20A	1Pole		ETS 63123		ETSC 63123
		2Pole		ETS 63223		ETSC 63223
		3Pole		ETS 63323		ETSC 63323
4	10A	1Pole		ETS 64113		ETSC 64113
		2Pole		ETS 64213		ETSC 64213
		3Pole		ETS 64313		ETSC 64313
	20A	1Pole		ETS 64123		ETSC 64123
		2Pole		ETS 64223		ETSC 64223
		3Pole		ETS 64323		ETSC 64323



* ETS 4 Gang Type is order made. contact us please.