

H.I.D Lighting Fixtures VD Series

❖ Application

VD Series lighting fixtures are used :

- in manufacturing plants, refineries, chemical, petrochemical and other industrial process facilities, wastewater and sewage treatment plants, offshore, dockside and other harbor installations as well as other heavy industrial applications.
- wherever the damaging effects of wind, snow, sleet, or hot sun are found.
- in marine applications where water spray and corrosive atmospheres are considerations.
- in paint spray booth suitability provides efficient, economical HID lighting for paint spray areas.
- in Industrial areas, both indoors and outdoors where long life and low maintenance costs are desired.
- in industrial locations requiring elevated ambient capability.

❖ Standard Finish

- MUNSSELL No. 7.5BG 6/1.5
- If you want another color, contact us please.

❖ Technical Data

Electrical Ratings	
Rated Voltage	AC110V/ 220V/ 240V/ DC110V
Rated Wattage	70W/ 100W/ 150W/ 175W/ 200W
Rated Frequency	50Hz/ 60Hz
Entry Sizes	1/2", 3/4", 1"

※ Also you can order various voltage :
120V/ 208V/ 277V/ 460V

❖ Features

- The lighting fixture has simple construction.
- The screwneck globe and the guard are screwed on to the body applying the reflector in its position by the guard.
- Synthetic rubber gasket is used between the body and globe, so that the lamp housing is sealed against vapors and dusts.
- Relamping is easily done by opening lower half of the guard and unscrewing the globe.
- H.I.D lighting fixture has external type ballast.

Weathertight NEMA 3, 3R, 5

❖ Standard Materials

- Body : Die casting aluminium
- Globe : Heat resistant hard glass
- Reflector : White coating aluminium
- Mounting Box : Cast aluminium alloy

❖ Certification

- Certified by KOSHA (Korea Occupational Safety & Health Agency), KGS (Korea Gas Safety Corporation), and the others.

❖ Compliance

- IP55



< VD >

❖ Weight

Mounting Type	Catalog No.	Weight
Ceiling (Small)	VDNY 32075	8.7 Kg
Ceiling (Large)	VDNY 32155	15.5 Kg

⇒ If you need more information, contact us please.

❖ Ordering Number

Lamp	Watt	Hub Size	Pendant	Ceiling	90° Bracket	40° Bracket
High Pressure Sodium	70	1/2"	VDNY 31075	VDNY 32075	VDNY 33075	VDNY 34075
		3/4"	VDNY 31073	VDNY 32073	VDNY 33073	VDNY 34073
	100	1/2"	VDNY 31105	VDNY 32105	VDNY 33105	VDNY 34105
		3/4"	VDNY 31103	VDNY 32103	VDNY 33103	VDNY 34103
	150	1/2"	VDNY 31155	VDNY 32155	VDNY 33155	VDNY 34155
		3/4"	VDNY 31153	VDNY 32153	VDNY 33153	VDNY 34153
200	1/2"	VDNY 31205	VDNY 32205	VDNY 33205	VDNY 34205	
	3/4"	VDNY 31203	VDNY 32203	VDNY 33203	VDNY 34203	
Metal Halide	100	1/2"	VDHY 31105	VDHY 32105	VDHY 33105	VDHY 34105
		3/4"	VDHY 31103	VDHY 32103	VDHY 33103	VDHY 34103
	175	1/2"	VDHY 31175	VDHY 32175	VDHY 33175	VDHY 34175
		3/4"	VDHY 31173	VDHY 32173	VDHY 33173	VDHY 34173
Mercury Vapor	100	1/2"	VDMY 31105	VDMY 32105	VDMY 33105	VDMY 34105
		3/4"	VDMY 31103	VDMY 32103	VDMY 33103	VDMY 34103
	200	1/2"	VDMY 31205	VDMY 32205	VDMY 33205	VDMY 34205
		3/4"	VDMY 31203	VDMY 32203	VDMY 33203	VDMY 34203

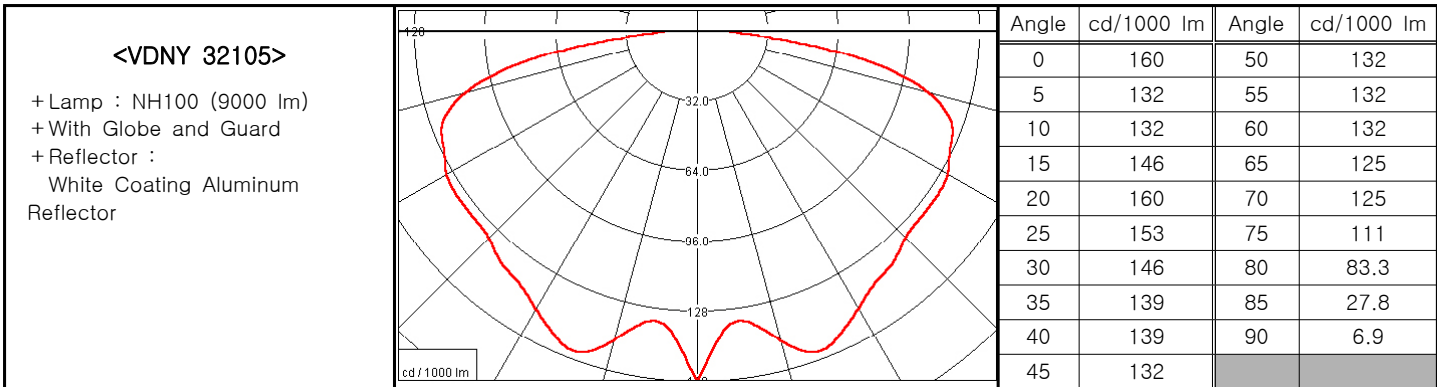
* For Pole type, see pole section (2L-51)

❖ Ordering Information

VD	NY	31	07	5
①	②	③	④	⑤

- | | | | |
|---------------------------|------------------|--------------------|--------------|
| ① VDY Lighting Fixture | ③ Mounting Type | ④ Lamp Wattage (W) | ⑤ Entry Size |
| | 31 - Pendant | 07 - 70 | 1 - 1" |
| ② Lamp Type | 32 - Ceiling | 10 - 100 | 3 - 3/4" |
| NY - High Pressure Sodium | 33 - 90° Bracket | 15 - 150 | 5 - 1/2" |
| HY - Metal Halide | 34 - 40° Bracket | 17 - 175 | |
| MY - Mercury Vapour | | 20 - 200 | |

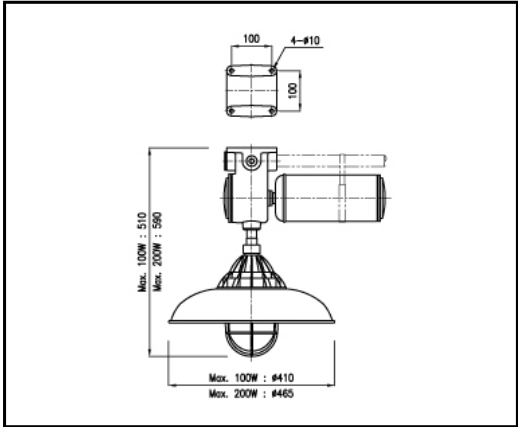
❖ Photometric Data



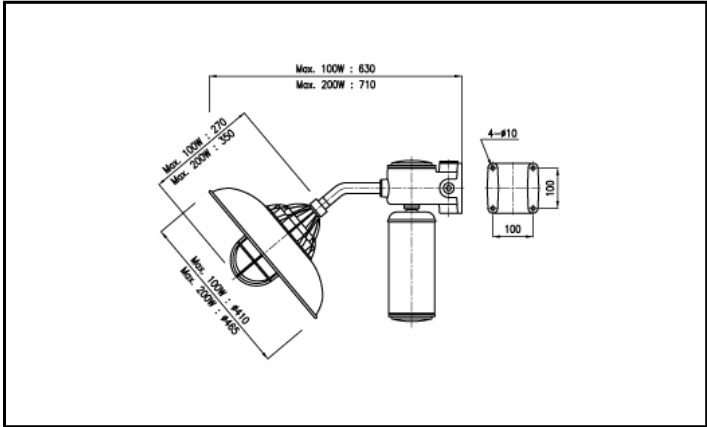
Coefficients of Utilization – Zonal Cavity

%Effective Ceiling Cavity Reflectance(p _{cc})	80			70			50			30			10			0
	50	30	10	50	30	10	50	30	10	50	30	10	50	30	10	0
%Wall Reflectance(p _w)	20% Effective Floor Cavity Reflectance															
Room Cavity Ratio RCR																
0	.84	.84	.84	.82	.82	.82	.78	.78	.78	.75	.75	.75	.72	.72	.72	.70
1	.73	.70	.68	.72	.69	.66	.69	.66	.64	.66	.64	.62	.63	.62	.61	.59
2	.64	.59	.55	.63	.58	.54	.60	.56	.53	.58	.55	.52	.56	.53	.51	.49
3	.56	.50	.46	.55	.50	.45	.53	.48	.44	.51	.47	.44	.49	.46	.43	.41
4	.50	.43	.39	.49	.43	.38	.47	.42	.38	.45	.41	.37	.44	.40	.37	.35
5	.44	.38	.33	.44	.38	.33	.42	.37	.33	.41	.36	.32	.39	.35	.32	.31
6	.40	.34	.29	.39	.33	.29	.38	.33	.29	.37	.32	.28	.36	.32	.28	.27
7	.36	.30	.26	.36	.30	.26	.35	.29	.26	.34	.29	.25	.33	.28	.25	.24
8	.33	.27	.23	.33	.27	.23	.32	.27	.23	.31	.26	.23	.30	.26	.23	.21
9	.31	.25	.21	.30	.25	.21	.29	.24	.21	.29	.24	.21	.28	.24	.21	.19
10	.28	.23	.19	.28	.23	.19	.27	.23	.19	.27	.22	.19	.26	.22	.19	.18

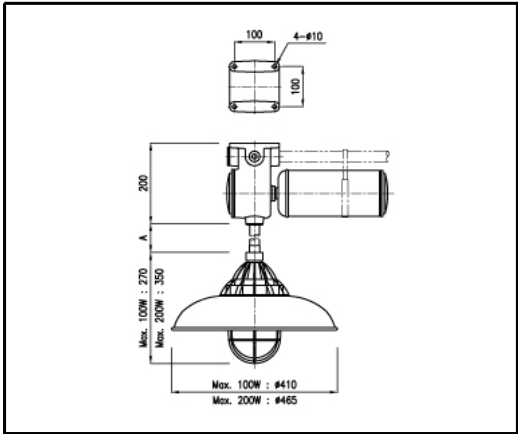
❖Dimension



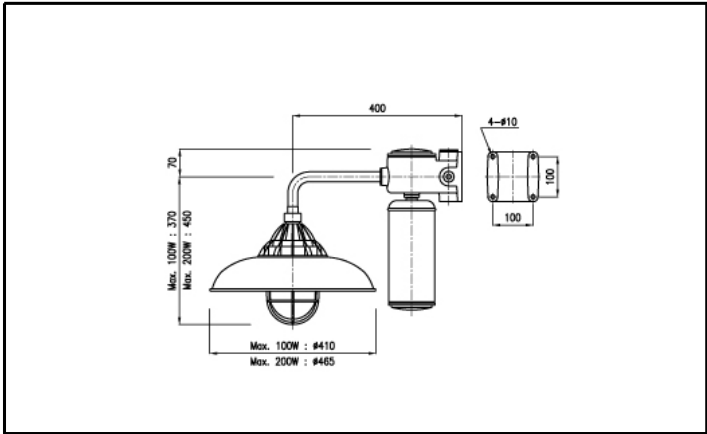
< VDY Ceiling Type >



< VDY 40° Bracket Type >



< VDY Pendant Type >



< VDY 90° Bracket Type >