

TYPE
"_"

REV.NO.	DATE	DESCRIPTION	REV'D BY	CHE'D BY	APP'D BY
△					
△					
△					

SELECTION TABLE

ITEM NO.	LAMP	LAMP SIZE	Q'TY	SUPPLY VOLTAGE	FREQUENCY				
					<input type="checkbox"/> AC110V	<input type="checkbox"/> AC230V	<input type="checkbox"/> AC240V	<input type="checkbox"/> 50Hz	
	<input type="checkbox"/> MERCURY VAPOR	<input type="checkbox"/> 70W	SET	<input type="checkbox"/> AC120V	<input type="checkbox"/> AC240V	<input type="checkbox"/> AC208V	<input type="checkbox"/> AC277V	<input type="checkbox"/> 60Hz	
	<input type="checkbox"/> H. P. SODIUM	<input type="checkbox"/> 100W	SET	<input type="checkbox"/> AC220V	<input type="checkbox"/>				
	<input type="checkbox"/> METAL HALIDE								
				HUB SCHEDULE	THREAD	<input type="checkbox"/> NPT	<input type="checkbox"/> PF	<input type="checkbox"/> MM	<input type="checkbox"/>
					SIZE	<input type="checkbox"/> 3/4"	<input type="checkbox"/> 1"	<input type="checkbox"/> M	<input type="checkbox"/>
				LOCATION					
					<input type="checkbox"/> 1-2 <input type="checkbox"/> 1-3 <input type="checkbox"/> 1-2-3 <input type="checkbox"/> 1-2-3-4				
				<input type="checkbox"/> W/2-BLIND PLUGS <input type="checkbox"/> NONE					

NOTE

1.

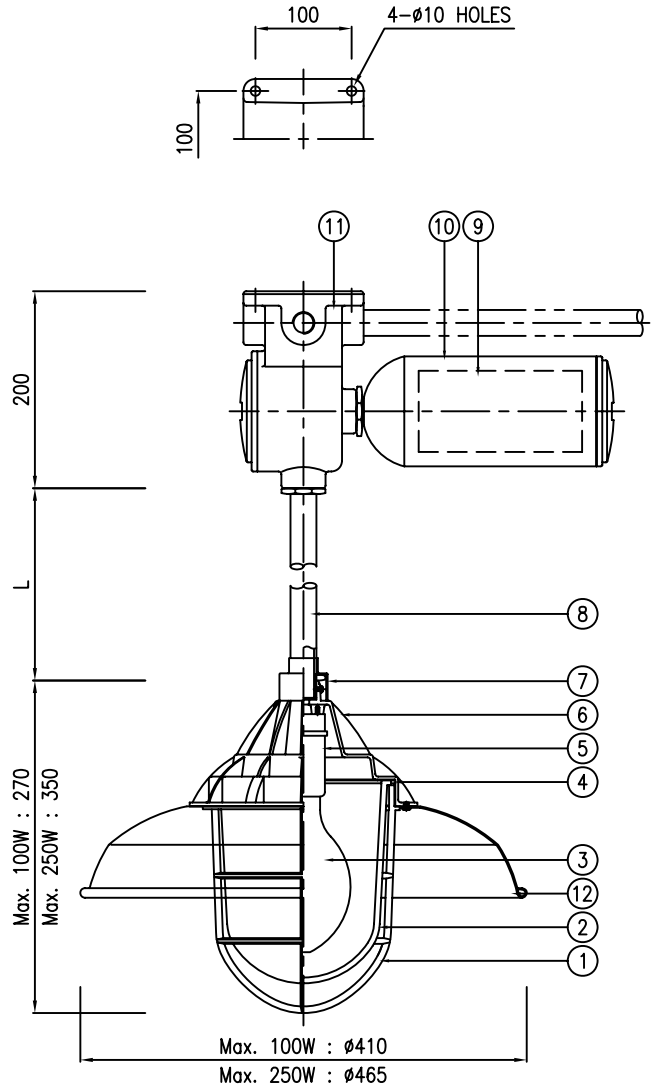
NO	PARTS	MATERIAL	REMARK
12	REFLECTOR	WHITE COATING ALUMINIUM	
11	MOUNTING BOX	CAST ALUMINIUM ALLOY	
10	BALLAST HOUSING	CARBON STEEL	
9	BALLAST	FOR H.I.D LAMP	HIGH POWER FACTOR
8	NIPPLE	STEEL	
7	WEATHERPROOF CAP	SILICONE RUBBER	
6	BODY	DIE CASTING ALUMINIUM	
5	LAMP HOLDER	PORCELAIN W/MEDIUM SOCKET	E26
4	GLOBE GASKET	SILICONE RUBBER	
3	LAMP	H.I.D LAMP	SEE SELECTION TABLE
2	GLOBE	HEAT RESISTANT HARD GLASS	
1	GUARD	DIE CASTING ALUMINIUM	

SCALE	N.S	APPROVED BY	
UNIT	mm	CHECKED BY	
DATE		DRAWN BY	

NB 南北電氣株式會社
NAMBUK ELECTRIC CO.,LTD

TITLE	H.I.D LTG. FIXTURE (CEILING MTG. TYPE)			APPLICATION AREA	
CAT NO.	VD-Y SERIES			WEATHER PROOF TYPE, IP65	
COLOR FINISHING	MUNSELL NO. 7.5BG 6/1.5			CLASS OF PROTECTION	
				DRAWING NO.	N B - V L H - D 1 - A 0 1

* LENGTH(L) ORDER MADE.



TYPE
"_"

REV.NO.	DATE	DESCRIPTION	REV'D BY	CHE'D BY	APP'D BY
△					
△					
△					

SELECTION TABLE

ITEM NO.	LAMP	LAMP SIZE	Q'TY	SUPPLY VOLTAGE	FREQUENCY				
					<input type="checkbox"/> AC110V	<input type="checkbox"/> AC230V	<input type="checkbox"/> AC240V	<input type="checkbox"/> 50Hz	
	<input type="checkbox"/> MERCURY VAPOR	<input type="checkbox"/> 70W <input type="checkbox"/> 100W	SET SET	<input type="checkbox"/> AC208V <input type="checkbox"/> AC277V <input type="checkbox"/> AC220V	<input type="checkbox"/> AC240V	<input type="checkbox"/> AC277V	<input type="checkbox"/>	<input type="checkbox"/> 60Hz	
	<input type="checkbox"/> H. P. SODIUM								
	<input type="checkbox"/> METAL HALIDE								
				HUB SCHEDULE	THREAD	<input type="checkbox"/> NPT	<input type="checkbox"/> PF	<input type="checkbox"/> MM	<input type="checkbox"/>
					SIZE	<input type="checkbox"/> 3/4"	<input type="checkbox"/> 1"	<input type="checkbox"/> M	<input type="checkbox"/>
					LOCATION	 <input type="checkbox"/> 1-2 <input type="checkbox"/> 1-3 <input type="checkbox"/> 1-2-3 <input type="checkbox"/> 1-2-3-4			
					<input type="checkbox"/> W/2-BLIND PLUGS				<input type="checkbox"/> NONE

NOTE

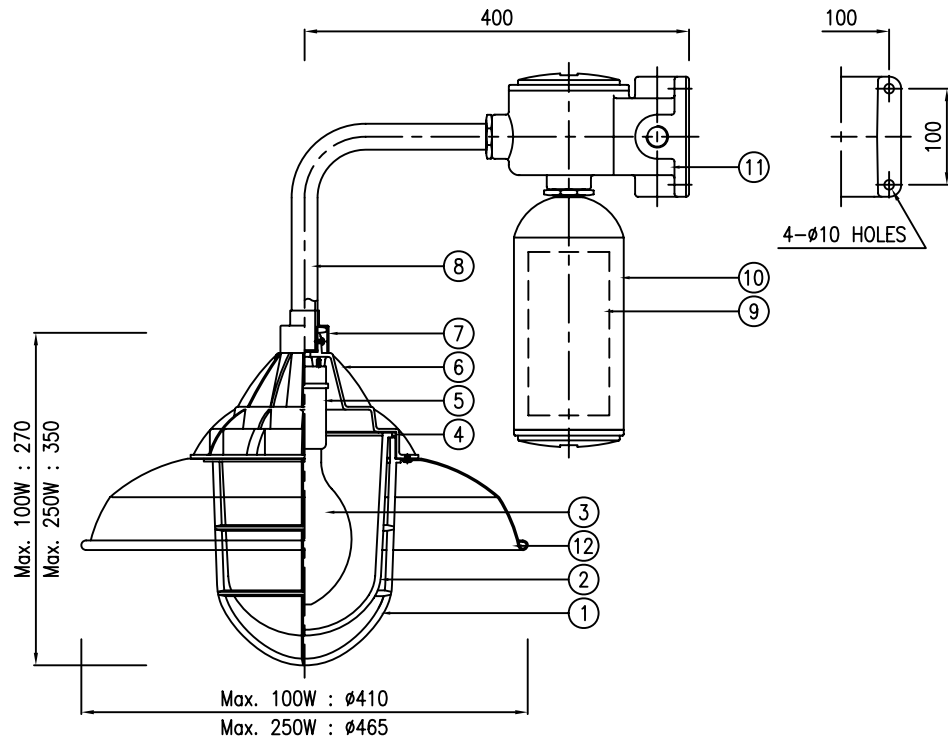
1.

NO	PARTS	MATERIAL	REMARK
12	REFLECTOR	WHITE COATING ALUMINIUM	
11	MOUNTING BOX	CAST ALUMINIUM ALLOY	
10	BALLAST HOUSING	CARBON STEEL	
9	BALLAST	FOR H.I.D LAMP	HIGH POWER FACTOR
8	SUSPENSION STEM	RIGID STEEL PIPE	
7	WEATHERPROOF CAP	SILICONE RUBBER	
6	BODY	DIE CASTING ALUMINIUM	
5	LAMP HOLDER	PORCELAIN W/MEDIUM SOCKET	E26
4	GLOBE GASKET	SILICONE RUBBER	
3	LAMP	H.I.D LAMP	SEE SELECTION TABLE
2	GLOBE	HEAT RESISTANT HARD GLASS	
1	GUARD	DIE CASTING ALUMINIUM	

SCALE	N.S	APPROVED BY	
UNIT	mm	CHECKED BY	
DATE		DRAWN BY	

NB 南北電氣株式會社
NAMBUK ELECTRIC CO.,LTD

TITLE	H.I.D LTG. FIXTURE (PENDANT MTG. TYPE)			APPLICATION AREA	
CAT NO.	VD-Y SERIES		CLASS OF PROTECTION	WEATHER PROOF TYPE, IP65	
COLOR FINISHING	MUNSELL NO. 7.5BG 6/1.5		DRAWING NO.	N B - V L H - D 1 - A 0 1	



TYPE
"_"

REV.NO.	DATE	DESCRIPTION	REV'D BY	CHE'D BY	APP'D BY
△					
△					
△					

SELECTION TABLE

ITEM NO.	LAMP	LAMP SIZE	Q'TY	SUPPLY VOLTAGE	FREQUENCY				
					<input type="checkbox"/> AC110V	<input type="checkbox"/> AC230V	<input type="checkbox"/> AC240V	<input type="checkbox"/> 50Hz	
	<input type="checkbox"/> MERCURY VAPOR	<input type="checkbox"/> 70W <input type="checkbox"/> 100W	SET SET	<input type="checkbox"/> AC208V <input type="checkbox"/> AC220V	<input type="checkbox"/> AC277V <input type="checkbox"/>		<input type="checkbox"/> 60Hz		
	<input type="checkbox"/> H. P. SODIUM								
	<input type="checkbox"/> METAL HALIDE								
				HUB SCHEDULE	THREAD	<input type="checkbox"/> NPT	<input type="checkbox"/> PF	<input type="checkbox"/> MM	<input type="checkbox"/>
				SIZE	<input type="checkbox"/> 3/4"	<input type="checkbox"/> 1"	<input type="checkbox"/> M	<input type="checkbox"/>	
				LOCATION					
					<input type="checkbox"/> 1-2	<input type="checkbox"/> 1-3	<input type="checkbox"/> 1-2-3	<input type="checkbox"/> 1-2-3-4	
					<input type="checkbox"/> W/2-BLIND PLUGS	<input type="checkbox"/> NONE			

NOTE

1.

NO	PARTS	MATERIAL	REMARK
12	REFLECTOR	WHITE COATING ALUMINIUM	
11	MOUNTING BOX	CAST ALUMINIUM ALLOY	
10	BALLAST HOUSING	CARBON STEEL	
9	BALLAST	FOR H.I.D LAMP	HIGH POWER FACTOR
8	SUSPENSION STEM	RIGID STEEL PIPE	
7	WEATHERPROOF CAP	SILICONE RUBBER	
6	BODY	DIE CASTING ALUMINIUM	
5	LAMP HOLDER	PORCELAIN W/MEDIUM SOCKET	E26
4	GLOBE GASKET	SILICONE RUBBER	
3	LAMP	H.I.D LAMP	SEE SELECTION TABLE
2	GLOBE	HEAT RESISTANT HARD GLASS	
1	GUARD	DIE CASTING ALUMINIUM	

SCALE	N.S	APPROVED BY	
UNIT	mm	CHECKED BY	
DATE		DRAWN BY	

NB 南北電氣株式會社
NAMBUK ELECTRIC CO.,LTD

TITLE	H.I.D LTG. FIXTURE (BRACKET MTG. TYPE)			APPLICATION AREA	
CAT NO.	VD-Y SERIES			CLASS OF PROTECTION	WEATHER PROOF TYPE, IP65
COLOR FINISHING	MUNSELL NO. 7.5BG 6/1.5			DRAWING NO.	N B - V L H - D 1 - A 0 1

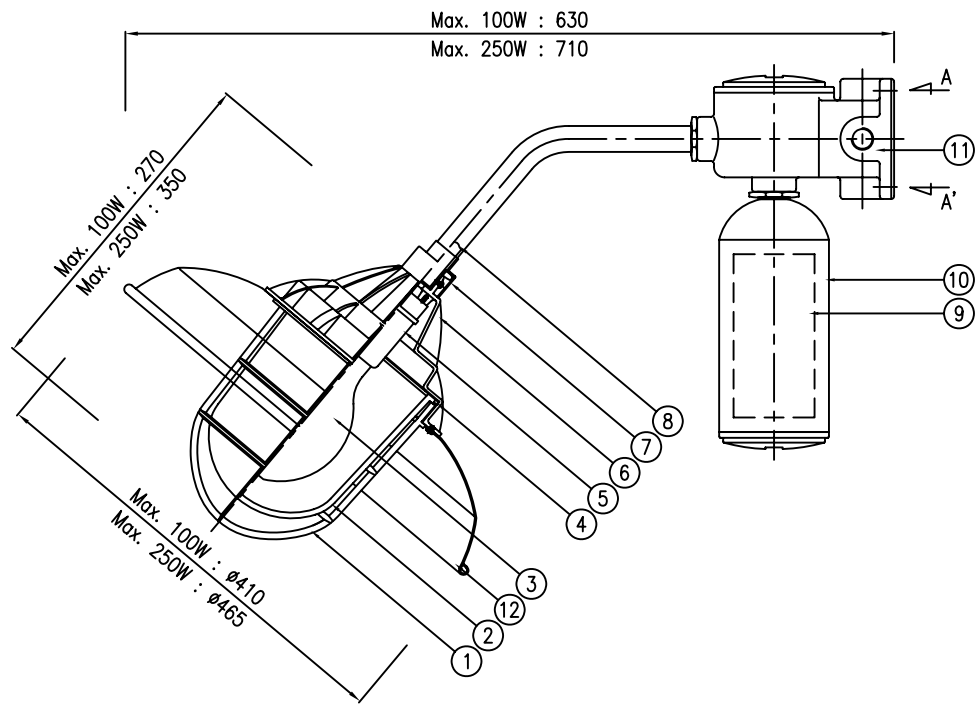
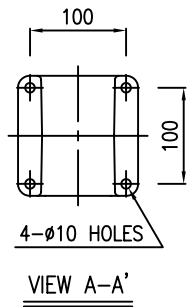
REV.NO.	DATE	DESCRIPTION	REV'D BY	CHE'D BY	APP'D BY
△					
△					
△					

SELECTION TABLE

ITEM NO.	LAMP	LAMP SIZE	Q'TY	SUPPLY VOLTAGE	FREQUENCY				
					<input type="checkbox"/> AC110V	<input type="checkbox"/> AC230V	<input type="checkbox"/> AC240V	<input type="checkbox"/> 50Hz	
	<input type="checkbox"/> MERCURY VAPOR	<input type="checkbox"/> 70W <input type="checkbox"/> 100W	SET SET	<input type="checkbox"/> AC208V <input type="checkbox"/> AC220V	<input type="checkbox"/> AC277V	<input type="checkbox"/>	<input type="checkbox"/> 60Hz		
	<input type="checkbox"/> H. P. SODIUM								
	<input type="checkbox"/> METAL HALIDE								
				HUB SCHEDULE	THREAD	<input type="checkbox"/> NPT	<input type="checkbox"/> PF	<input type="checkbox"/> MM	<input type="checkbox"/>
				SIZE	<input type="checkbox"/> 3/4"	<input type="checkbox"/> 1"	<input type="checkbox"/> M	<input type="checkbox"/>	
				LOCATION					
					<input type="checkbox"/> 1-2	<input type="checkbox"/> 1-3	<input type="checkbox"/> 1-2-3	<input type="checkbox"/> 1-2-3-4	
				<input type="checkbox"/> W/2-BLIND PLUGS <input type="checkbox"/> NONE					

NOTE
1.

NO	PARTS	MATERIAL	REMARK
12	REFLECTOR	WHITE COATING ALUMINIUM	
11	MOUNTING BOX	CAST ALUMINIUM ALLOY	
10	BALLAST HOUSING	CARBON STEEL	
9	BALLAST	FOR H.I.D LAMP	HIGH POWER FACTOR
8	SUSPENSION STEM	RIGID STEEL PIPE	
7	WEATHERPROOF CAP	SILICONE RUBBER	
6	BODY	DIE CASTING ALUMINIUM	
5	LAMP HOLDER	PORCELAIN W/MEDIUM SOCKET	E26
4	GLOBE GASKET	SILICONE RUBBER	
3	LAMP	H.I.D LAMP	SEE SELECTION TABLE
2	GLOBE	HEAT RESISTANT HARD GLASS	
1	GUARD	DIE CASTING ALUMINIUM	



TYPE
"_"

SCALE	N.S	APPROVED BY	
UNIT	mm	CHECKED BY	
DATE		DRAWN BY	

NB 南北電気株式會社
NAMBUK ELECTRIC CO.,LTD

TITLE	H.I.D LTG. FIXTURE (40° BRACKET MTG. TYPE)		APPLICATION AREA	
CAT NO.	VD-Y SERIES	CLASS OF PROTECTION	WEATHER PROOF TYPE, IP65	
COLOR FINISHING	MUNSELL NO. 7.5BG 6/1.5	DRAWING NO.	N B - V L H - D 1 - A 0 1	

* LENGTH(L) ORDER MADE.

REV.NO.	DATE	DESCRIPTION	REV'D BY	CHE'D BY	APP'D BY
△					
△					
△					

SELECTION TABLE

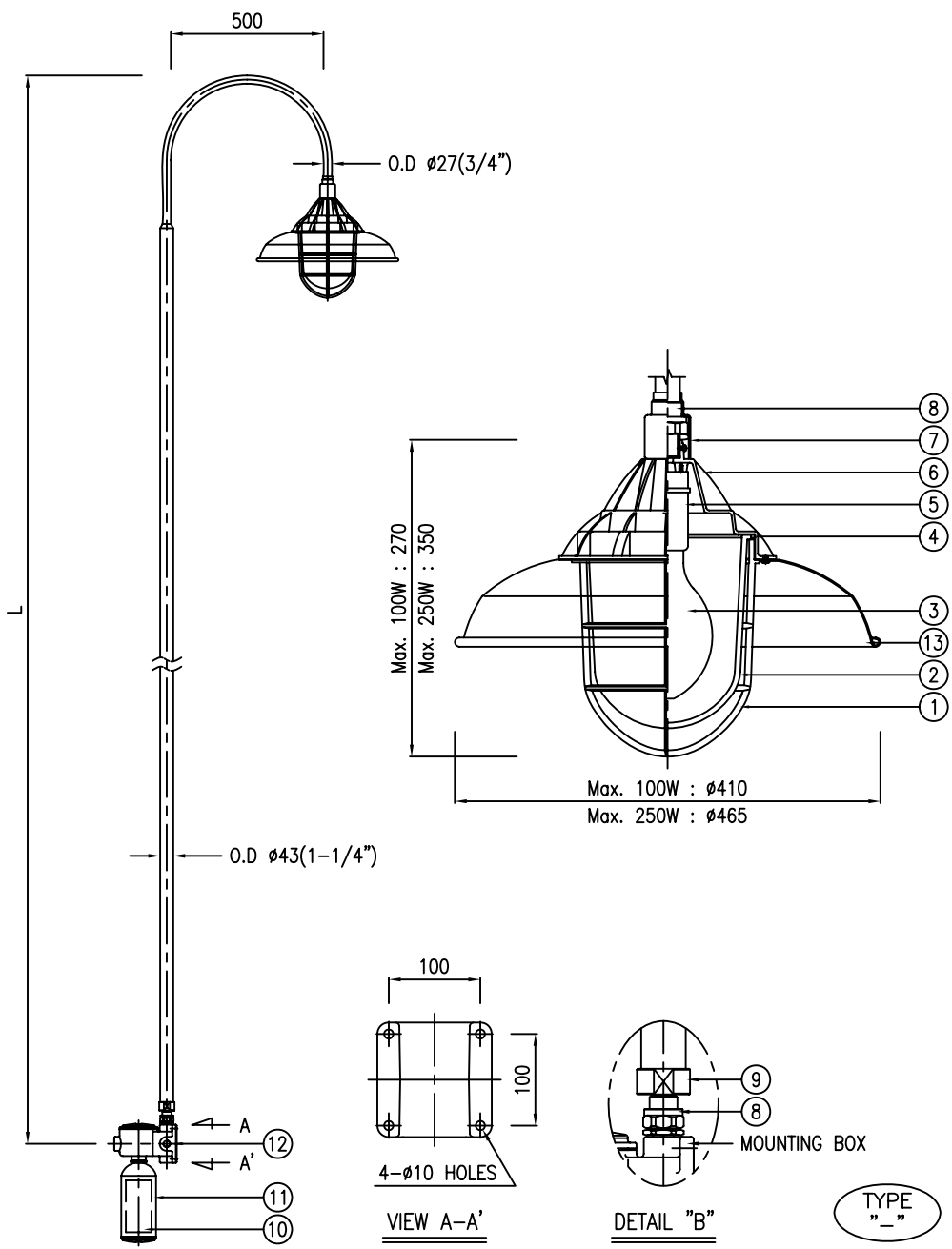
ITEM NO.	LAMP	LAMP SIZE	Q'TY	SUPPLY VOLTAGE	FREQUENCY	
					<input type="checkbox"/> 50Hz	<input type="checkbox"/> 60Hz
	<input type="checkbox"/> MERCURY VAPOR	<input type="checkbox"/> 70W <input type="checkbox"/> 100W	SET SET	<input type="checkbox"/> AC110V <input type="checkbox"/> AC120V <input type="checkbox"/> AC208V <input type="checkbox"/> AC220V	<input type="checkbox"/> AC230V <input type="checkbox"/> AC240V <input type="checkbox"/> AC277V <input type="checkbox"/>	
	<input type="checkbox"/> H. P. SODIUM					
	<input type="checkbox"/> METAL HALIDE					
				HUB SCHEDULE	THREAD	<input type="checkbox"/> NPT <input type="checkbox"/> PF <input type="checkbox"/> MM <input type="checkbox"/>
					SIZE	<input type="checkbox"/> 3/4" <input type="checkbox"/> 1" <input type="checkbox"/> M <input type="checkbox"/>
				LOCATION	POLE	<input type="checkbox"/> P-1 <input type="checkbox"/> P-2 <input type="checkbox"/> P-1-2 <input type="checkbox"/> P-1-2-3
						<input type="checkbox"/> W/2-BLIND PLUGS <input type="checkbox"/> NONE

NOTE

1.

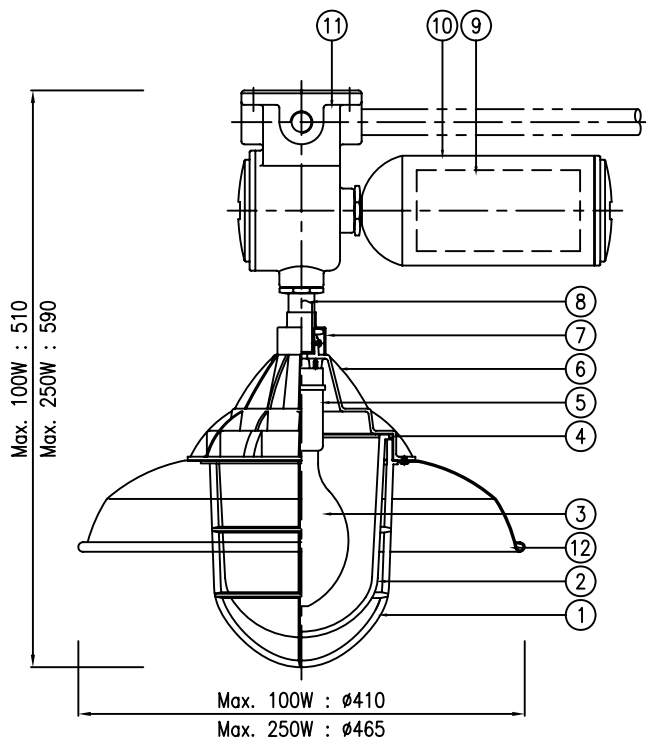
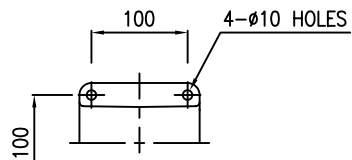
13	REFLECTOR	WHITE COATING ALUMINIUM	
12	MOUNTING BOX	CAST ALUMINIUM ALLOY	
11	BALLAST HOUSING	CARBON STEEL	
10	BALLAST	FOR H.I.D LAMP	HIGH POWER FACTOR
9	SOCKET	CARBON STEEL	
8	UNION COUPLING	CARBON STEEL	
7	WEATHERPROOF CAP	SILICONE RUBBER	
6	BODY	DIE CASTING ALUMINIUM	
5	LAMP HOLDER	PORCELAIN W/MEDIUM SOCKET	E26
4	GLOBE GASKET	SILICONE RUBBER	
3	LAMP	H.I.D LAMP	SEE SELECTION TABLE
2	GLOBE	HEAT RESISTANT HARD GLASS	
1	GUARD	DIE CASTING ALUMINIUM	
NO	PARTS	MATERIAL	REMARK

TITLE	H.I.D LTG. FIXTURE (HAND RAIL TYPE)	APPLICATION AREA
CAT NO.	VD-Y SERIES	WEATHER PROOF TYPE, IP65
COLOR FINISHING	LTG. FIXTURE : MUNSELL NO. 7.5BG 6/1.5 POLE : HOT DIP GALVANIZED	CLASS OF PROTECTION DRAWING NO.
		N B - V L H - D 1 - A 0 1



NB 南北電氣株式會社
NAMBUK ELECTRIC CO.,LTD

SCALE	N.S	APPROVED BY	
UNIT	mm	CHECKED BY	
DATE		DRAWN BY	



TYPE
"_"

REV.NO.	DATE	DESCRIPTION	REV'D BY	CHE'D BY	APP'D BY
△					
△					
△					

SELECTION TABLE

ITEM NO.	LAMP	LAMP SIZE	Q'TY	SUPPLY VOLTAGE		FREQUENCY			
				<input type="checkbox"/> AC110V <input type="checkbox"/> AC120V <input type="checkbox"/> AC208V <input type="checkbox"/> AC220V	<input type="checkbox"/> AC230V <input type="checkbox"/> AC240V <input type="checkbox"/> AC277V <input type="checkbox"/>	<input type="checkbox"/> 50Hz <input type="checkbox"/> 60Hz			
	<input type="checkbox"/> MERCURY VAPOR	<input type="checkbox"/> 150W <input type="checkbox"/> 175W	SET	HUB SCHEDULE	THREAD	<input type="checkbox"/> NPT	<input type="checkbox"/> PF	<input type="checkbox"/> MM	<input type="checkbox"/>
	<input type="checkbox"/> H. P. SODIUM	<input type="checkbox"/> 200W <input type="checkbox"/> 250W	SET		SIZE	<input type="checkbox"/> 3/4"	<input type="checkbox"/> 1"	<input type="checkbox"/> M	<input type="checkbox"/>
	<input type="checkbox"/> METAL HALIDE				LOCATION				
						<input type="checkbox"/> 1-2 <input type="checkbox"/> 1-3 <input type="checkbox"/> 1-2-3 <input type="checkbox"/> 1-2-3-4			
				<input type="checkbox"/> W/2-BLIND PLUGS <input type="checkbox"/> NONE					

NOTE

1.

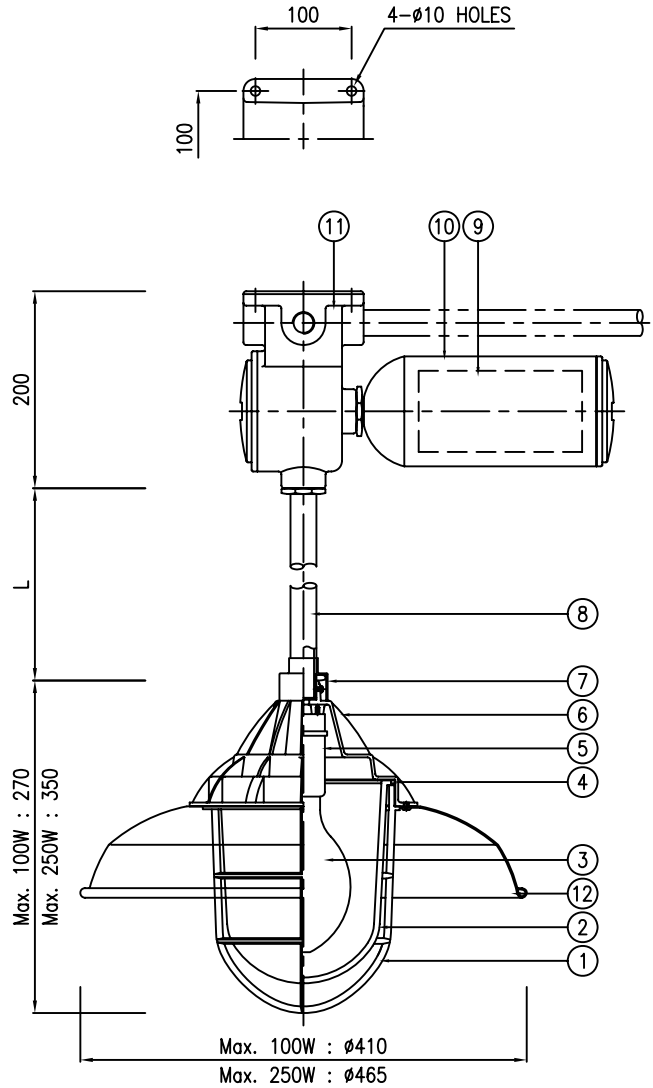
NO	PARTS	MATERIAL	REMARK
12	REFLECTOR	WHITE COATING ALUMINIUM	
11	MOUNTING BOX	CAST ALUMINIUM ALLOY	
10	BALLAST HOUSING	CARBON STEEL	
9	BALLAST	FOR H.I.D LAMP	HIGH POWER FACTOR
8	NIPPLE	STEEL	
7	WEATHERPROOF CAP	SILICONE RUBBER	
6	BODY	DIE CASTING ALUMINIUM	
5	LAMP HOLDER	PORCELAIN W/MOGUL SOCKET	E39
4	GLOBE GASKET	SILICONE RUBBER	
3	LAMP	H.I.D LAMP	SEE SELECTION TABLE
2	GLOBE	HEAT RESISTANT HARD GLASS	
1	GUARD	DIE CASTING ALUMINIUM	

SCALE	N.S	APPROVED BY	
UNIT	mm	CHECKED BY	
DATE		DRAWN BY	

NB 南北電氣株式會社
NAMBUK ELECTRIC CO.,LTD

TITLE	H.I.D LTG. FIXTURE (CEILING MTG. TYPE)			APPLICATION AREA	
CAT NO.	VD-Y SERIES			WEATHER PROOF TYPE, IP65	
COLOR FINISHING	MUNSELL NO. 7.5BG 6/1.5			CLASS OF PROTECTION	
DRAWING NO.	N	B	V	L	H
	D	1	A	0	1

* LENGTH(L) ORDER MADE.



TYPE
"_"

REV.NO.	DATE	DESCRIPTION	REV'D BY	CHE'D BY	APP'D BY
△					
△					
△					

SELECTION TABLE

ITEM NO.	LAMP	LAMP SIZE	Q'TY	SUPPLY VOLTAGE	FREQUENCY				
					<input type="checkbox"/> AC110V	<input type="checkbox"/> AC230V	<input type="checkbox"/> AC240V	<input type="checkbox"/> 50Hz	
	<input type="checkbox"/> MERCURY VAPOR	<input type="checkbox"/> 150W	SET	<input type="checkbox"/> AC208V	<input type="checkbox"/> AC277V	<input type="checkbox"/> AC220V	<input type="checkbox"/>	<input type="checkbox"/> 60Hz	
	<input type="checkbox"/> H. P. SODIUM	<input type="checkbox"/> 175W	SET						
		<input type="checkbox"/> 200W	SET						
	<input type="checkbox"/> METAL HALIDE	<input type="checkbox"/> 250W	SET						
				HUB SCHEDULE	THREAD	<input type="checkbox"/> NPT	<input type="checkbox"/> PF	<input type="checkbox"/> MM	<input type="checkbox"/>
					SIZE	<input type="checkbox"/> 3/4"	<input type="checkbox"/> 1"	<input type="checkbox"/> M	<input type="checkbox"/>
				LOCATION					
					<input type="checkbox"/> 1-2	<input type="checkbox"/> 1-3	<input type="checkbox"/> 1-2-3	<input type="checkbox"/> 1-2-3-4	
					<input type="checkbox"/> W/2-BLIND PLUGS				<input type="checkbox"/> NONE

NOTE

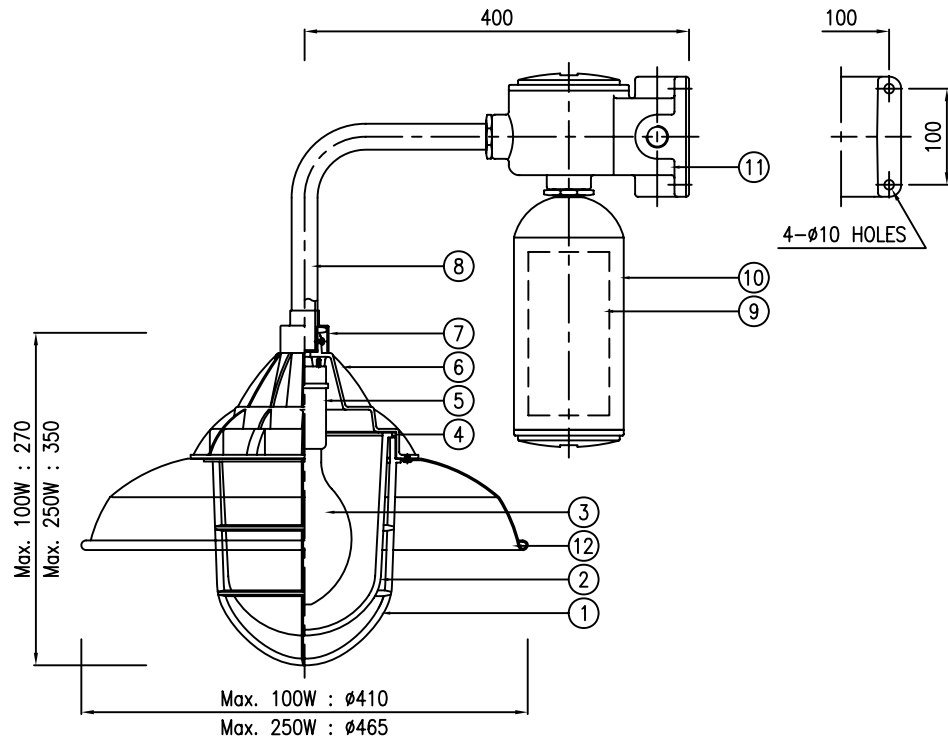
1.

NO	PARTS	MATERIAL	REMARK
12	REFLECTOR	WHITE COATING ALUMINIUM	
11	MOUNTING BOX	CAST ALUMINIUM ALLOY	
10	BALLAST HOUSING	CARBON STEEL	
9	BALLAST	FOR H.I.D LAMP	HIGH POWER FACTOR
8	SUSPENSION STEM	RIGID STEEL PIPE	
7	WEATHERPROOF CAP	SILICONE RUBBER	
6	BODY	DIE CASTING ALUMINIUM	
5	LAMP HOLDER	PORCELAIN W/MOGUL SOCKET	E39
4	GLOBE GASKET	SILICONE RUBBER	
3	LAMP	H.I.D LAMP	SEE SELECTION TABLE
2	GLOBE	HEAT RESISTANT HARD GLASS	
1	GUARD	DIE CASTING ALUMINIUM	

SCALE	N.S	APPROVED BY	
UNIT	mm	CHECKED BY	
DATE		DRAWN BY	

NB 南北電氣株式會社
NAMBUK ELECTRIC CO.,LTD

TITLE	H.I.D LTG. FIXTURE (PENDANT MTG. TYPE)			APPLICATION AREA	
CAT NO.	VD-Y SERIES	CLASS OF PROTECTION	WEATHER PROOF TYPE, IP65		
COLOR FINISHING	MUNSELL NO. 7.5BG 6/1.5	DRAWING NO.	N	B	- V L H - D 1 - A 0 1



TYPE
"_"

REV.NO.	DATE	DESCRIPTION	REV'D BY	CHE'D BY	APP'D BY
△					
△					
△					

SELECTION TABLE

ITEM NO.	LAMP	LAMP SIZE	Q'TY	SUPPLY VOLTAGE	FREQUENCY				
					<input type="checkbox"/> 50Hz	<input type="checkbox"/> 60Hz			
	<input type="checkbox"/> MERCURY VAPOR	<input type="checkbox"/> 150W <input type="checkbox"/> 175W	SET	<input type="checkbox"/> AC110V <input type="checkbox"/> AC120V <input type="checkbox"/> AC208V <input type="checkbox"/> AC220V	<input type="checkbox"/> AC230V <input type="checkbox"/> AC240V <input type="checkbox"/> AC277V <input type="checkbox"/>				
	<input type="checkbox"/> H. P. SODIUM	<input type="checkbox"/> 200W <input type="checkbox"/> 250W	SET						
	<input type="checkbox"/> METAL HALIDE								
				HUB SCHEDULE	THREAD	<input type="checkbox"/> NPT	<input type="checkbox"/> PF	<input type="checkbox"/> MM	<input type="checkbox"/>
					SIZE	<input type="checkbox"/> 3/4"	<input type="checkbox"/> 1"	<input type="checkbox"/> M	<input type="checkbox"/>
				LOCATION					
					<input type="checkbox"/> 1-2 <input type="checkbox"/> 1-3 <input type="checkbox"/> 1-2-3 <input type="checkbox"/> 1-2-3-4 <input type="checkbox"/> W/2-BLIND PLUGS <input type="checkbox"/> NONE				

NOTE

1.

NO	PARTS	MATERIAL	REMARK
12	REFLECTOR	WHITE COATING ALUMINIUM	
11	MOUNTING BOX	CAST ALUMINIUM ALLOY	
10	BALLAST HOUSING	CARBON STEEL	
9	BALLAST	FOR H.I.D LAMP	HIGH POWER FACTOR
8	SUSPENSION STEM	RIGID STEEL PIPE	
7	WEATHERPROOF CAP	SILICONE RUBBER	
6	BODY	DIE CASTING ALUMINIUM	
5	LAMP HOLDER	PORCELAIN W/MOGUL SOCKET	E39
4	GLOBE GASKET	SILICONE RUBBER	
3	LAMP	H.I.D LAMP	SEE SELECTION TABLE
2	GLOBE	HEAT RESISTANT HARD GLASS	
1	GUARD	DIE CASTING ALUMINIUM	

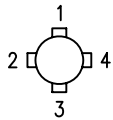
SCALE	N.S	APPROVED BY	
UNIT	mm	CHECKED BY	
DATE		DRAWN BY	

NB 南北電氣株式會社
NAMBUK ELECTRIC CO.,LTD

TITLE	H.I.D LTG. FIXTURE (BRACKET MTG. TYPE)			APPLICATION AREA	
CAT NO.	VD-Y SERIES			WEATHER PROOF TYPE, IP65	
COLOR FINISHING	MUNSELL NO. 7.5BG 6/1.5			CLASS OF PROTECTION	
DRAWING NO.	N	B	V	L	H-D 1-1-A 0 1

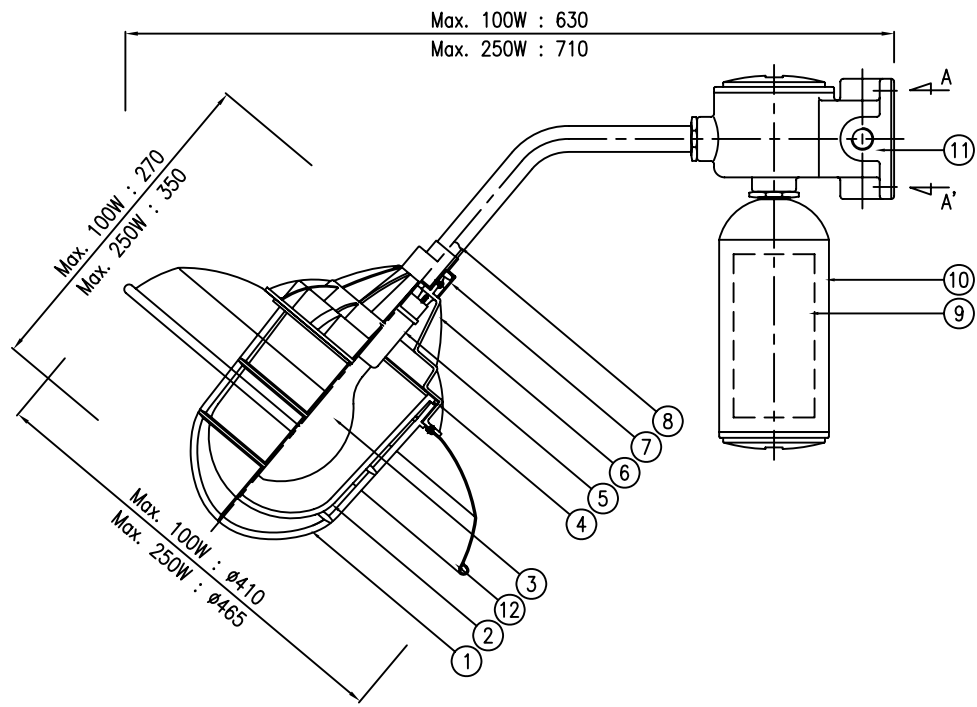
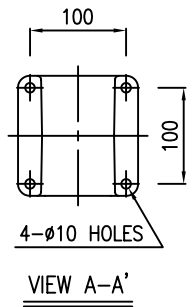
REV.NO.	DATE	DESCRIPTION	REV'D BY	CHE'D BY	APP'D BY
△					
△					
△					

SELECTION TABLE

ITEM NO.	LAMP	LAMP SIZE	Q'TY	SUPPLY VOLTAGE	FREQUENCY				
					<input type="checkbox"/> AC110V	<input type="checkbox"/> AC230V	<input type="checkbox"/> AC240V	<input type="checkbox"/> 50Hz	
	<input type="checkbox"/> MERCURY VAPOR	<input type="checkbox"/> 150W	SET	<input type="checkbox"/> AC208V	<input type="checkbox"/> AC277V	<input type="checkbox"/> AC220V	<input type="checkbox"/>	<input type="checkbox"/> 60Hz	
	<input type="checkbox"/> H. P. SODIUM	<input type="checkbox"/> 200W	SET						
	<input type="checkbox"/> METAL HALIDE	<input type="checkbox"/> 250W	SET						
				HUB SCHEDULE	THREAD	<input type="checkbox"/> NPT	<input type="checkbox"/> PF	<input type="checkbox"/> MM	<input type="checkbox"/>
				SIZE	<input type="checkbox"/> 3/4"	<input type="checkbox"/> 1"	<input type="checkbox"/> M	<input type="checkbox"/>	
				LOCATION	 <input type="checkbox"/> 1-2 <input type="checkbox"/> 1-3 <input type="checkbox"/> 1-2-3 <input type="checkbox"/> 1-2-3-4				
						<input type="checkbox"/> W/2-BLIND PLUGS	<input type="checkbox"/> NONE		

NOTE
1.

NO	PARTS	MATERIAL	REMARK
12	REFLECTOR	WHITE COATING ALUMINIUM	
11	MOUNTING BOX	CAST ALUMINIUM ALLOY	
10	BALLAST HOUSING	CARBON STEEL	
9	BALLAST	FOR H.I.D LAMP	HIGH POWER FACTOR
8	SUSPENSION STEM	RIGID STEEL PIPE	
7	WEATHERPROOF CAP	SILICONE RUBBER	
6	BODY	DIE CASTING ALUMINIUM	
5	LAMP HOLDER	PORCELAIN W/MOGUL SOCKET	E39
4	GLOBE GASKET	SILICONE RUBBER	
3	LAMP	H.I.D LAMP	SEE SELECTION TABLE
2	GLOBE	HEAT RESISTANT HARD GLASS	
1	GUARD	DIE CASTING ALUMINIUM	



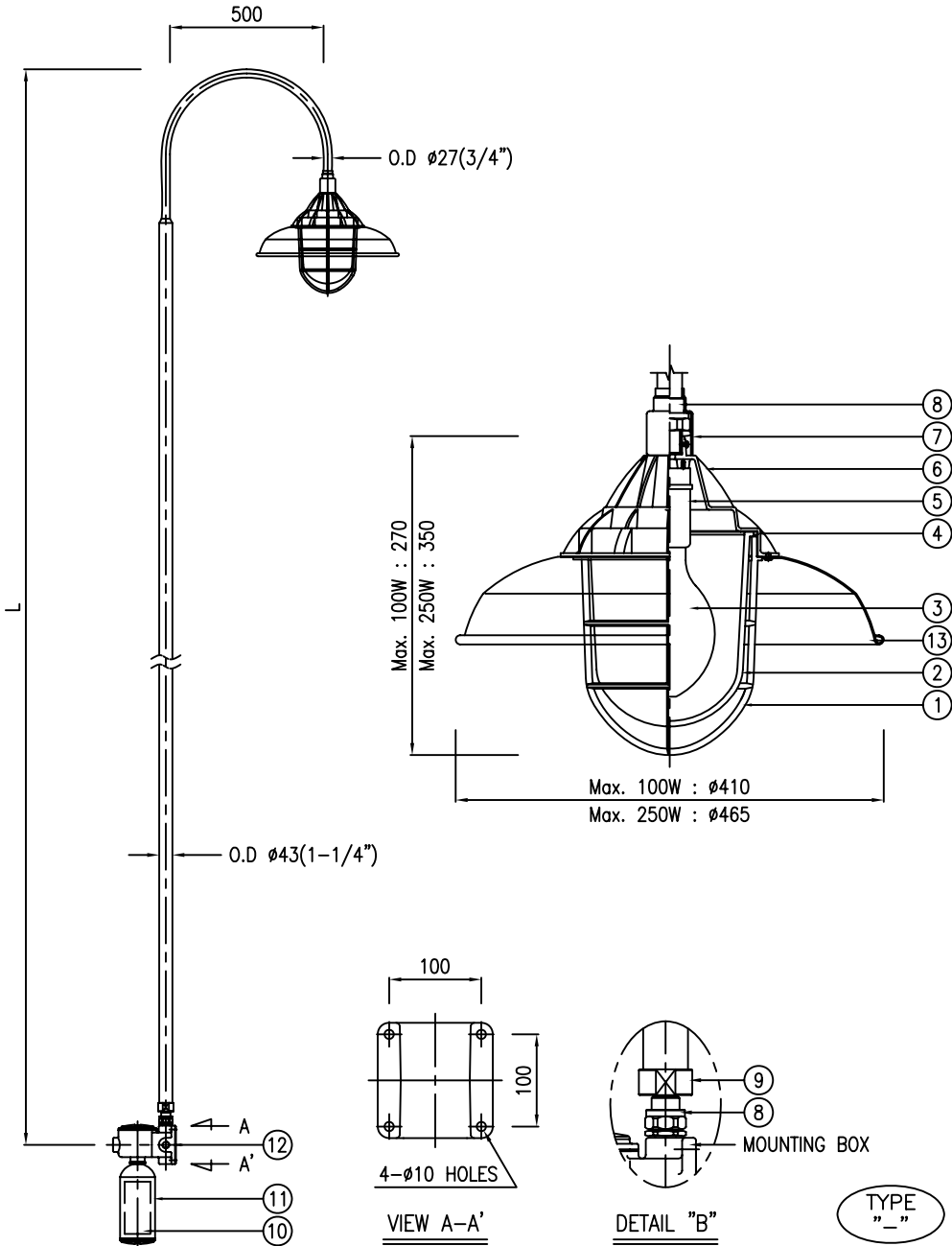
TYPE
"_"

SCALE	N.S	APPROVED BY	
UNIT	mm	CHECKED BY	
DATE		DRAWN BY	

NB 南北電気株式會社
NAMBUK ELECTRIC CO.,LTD

TITLE	H.I.D LTG. FIXTURE (40° BRACKET MTG. TYPE)			APPLICATION AREA	
CAT NO.	VD-Y SERIES			CLASS OF PROTECTION	WEATHER PROOF TYPE, IP65
COLOR FINISHING	MUNSELL NO. 7.5BG 6/1.5			DRAWING NO.	N B - V L H - D 1 - A 0 1

* LENGTH(L) ORDER MADE.



REV.NO.	DATE	DESCRIPTION	REV'D BY	CHE'D BY	APP'D BY
△					
△					
△					

SELECTION TABLE

ITEM NO.	LAMP	LAMP SIZE	Q'TY	SUPPLY VOLTAGE		FREQUENCY			
				<input type="checkbox"/> AC110V <input type="checkbox"/> AC120V <input type="checkbox"/> AC208V <input type="checkbox"/> AC220V	<input type="checkbox"/> AC230V <input type="checkbox"/> AC240V <input type="checkbox"/> AC277V <input type="checkbox"/>	<input type="checkbox"/> 50Hz <input type="checkbox"/> 60Hz			
	<input type="checkbox"/> MERCURY VAPOR	<input type="checkbox"/> 150W <input type="checkbox"/> 175W	SET	HUB SCHEDULE	THREAD	<input type="checkbox"/> NPT	<input type="checkbox"/> PF	<input type="checkbox"/> MM	<input type="checkbox"/>
	<input type="checkbox"/> H. P. SODIUM	<input type="checkbox"/> 200W <input type="checkbox"/> 250W	SET		SIZE	<input type="checkbox"/> 3/4"	<input type="checkbox"/> 1"	<input type="checkbox"/> M	<input type="checkbox"/>
	<input type="checkbox"/> METAL HALIDE				LOCATION	POLE			<input type="checkbox"/> P-1 <input type="checkbox"/> P-2 <input type="checkbox"/> P-1-2 <input type="checkbox"/> P-1-2-3
									<input type="checkbox"/> W/2-BLIND PLUGS

NOTE

1.

NO	PARTS	MATERIAL	REMARK
13	REFLECTOR	WHITE COATING ALUMINIUM	
12	MOUNTING BOX	CAST ALUMINIUM ALLOY	
11	BALLAST HOUSING	CARBON STEEL	
10	BALLAST	FOR H.I.D LAMP	HIGH POWER FACTOR
9	SOCKET	CARBON STEEL	
8	UNION COUPLING	CARBON STEEL	
7	WEATHERPROOF CAP	SILICONE RUBBER	
6	BODY	DIE CASTING ALUMINIUM	
5	LAMP HOLDER	PORCELAIN W/MOGLU SOCKET	E39
4	GLOBE GASKET	SILICONE RUBBER	
3	LAMP	H.I.D LAMP	SEE SELECTION TABLE
2	GLOBE	HEAT RESISTANT HARD GLASS	
1	GUARD	DIE CASTING ALUMINIUM	

SCALE	N.S	APPROVED BY	
UNIT	mm	CHECKED BY	
DATE		DRAWN BY	

NB 南北電気株式會社
NAMBUK ELECTRIC CO.,LTD

TITLE	H.I.D LTG. FIXTURE (HAND RAIL TYPE)	APPLICATION AREA	
CAT NO.	VD-Y SERIES	CLASS OF PROTECTION	WEATHER PROOF TYPE, IP65
COLOR FINISHING	LTG. FIXTURE : MUNSSELL NO. 7.5BG 6/1.5 POLE : HOT DIP GALVANIZED	DRAWING NO.	N B - V L H - D 1 - A 0 1