

## Plugs And Receptacles EPR 20A

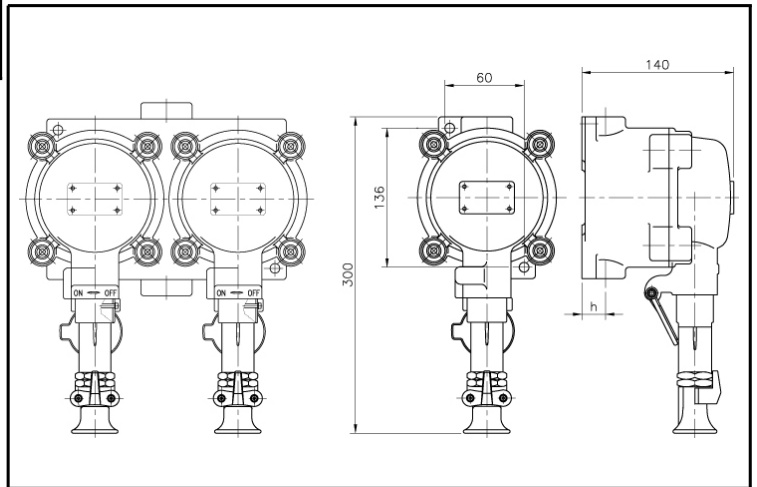
## Wet Locations

❖ Type of Explosion-proof  
Flameproof-Increase Safety  
(Ex de IIB T6)



< EPR 20A >

❖ Dimension



Conduit Size	h
16(1/2")	17
22(3/4")	20
28(1")	23

### ❖ Flameproof EPR Plugs and Receptacles

Conduit Entry		Catalog No.	Weight(Kg)
Position	Size		
Terminal	16(1/2")	EPR 1011	4
	22(3/4")	EPR 1012	
	28(1")	EPR 1013	
Through-way	16(1/2")	EPR 1014	
	22(3/4")	EPR 1015	
	28(1")	EPR 1016	

\* If you want 2 Gang, add suffix "2" to Cat. No. Example : EPR1011-2

### ❖ Standard Materials

- Switch Receptacle
- Housing : Die casting aluminium
- Terminal Box : Die casting aluminium
- Plug Casing : Die casting aluminium

### ❖ Specification

- Rated Voltage 250V AC
- Rated Current 15-20A
- Number of Pins 3 (2Pole+Earth)

### ❖ Features

- The flameproof enclosures of the switched receptacle are composed of the main body, barrier and terminal box, putting one on another with spigot joints.
- The interlocking device is of plug operation type. the built\_in switch can only be operated by the plug in fully engaged position, and the plug cannot be withdrawn unless the switch is in open position.
- The plug is compact and complete flameproof, and incorporates a flameproof packing type cable gland.
- The blanking cap is of spring-operated type and covers the receptacle outlet automatically when the plug is withdrawn.

### ❖ Selection Table of Rubber Packings for Cable Entries

Packing No.	Nominal Diameter of Cable	Suitable Chlorprene Sheathed Portable power Cable, Class 3
15S	13 to 15mm	
16S	15 to 16mm	3 core 0.75 mm <sup>2</sup>
17S	16.5 to 17mm	3 core 2.0 mm <sup>2</sup>

\*3 core 0.75mm<sup>2</sup> Chlorprene Sheathed Potable Power Cable can be supplied in cut lengths to suit customers' requirement

These are the combinations of 15, 20Amperes rating flameproof plugs and switched receptacles. Which contain a toggle type switch. These plugs and receptacles are designed mainly for connecting handlamps and other portable small appliances to stationary supply-points.

The connector has three pins, but one pin is for earthing, and these units are used only for single phase load.

### ❖ Standard Finish

- MUNSELL No. 7.5BG 6/1.5
- If you want another color, contact us please.

Plugs And Receptacles  
EPR 30A

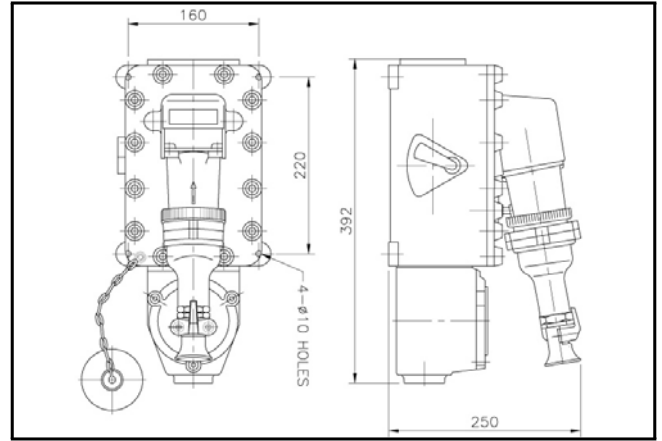
Wet Locations

❖ Type of Explosion-proof  
Flameproof-Increase Safety (Ex de IIB T6)



< EPR 30A (30 Type) >

❖ Dimension(mm)



❖ Selection Table of Rubber Packings for Cable Entries

Packing No.	Nominal Diameter of Cable	Suitable Chloroprene Sheathed Portable Power Cable, Class 3
28-18	16 to 18mm	3 core 2.0mm <sup>2</sup>
28-20	18 to 20mm	3 core 3.5mm <sup>2</sup> 4 core 2.0mm <sup>2</sup>
28-21	20 to 21mm	3 core 5.5mm <sup>2</sup> 4 core 3.5mm <sup>2</sup>
28-22	21 to 22mm	3 core 8 mm <sup>2</sup> 4 core 5.5mm <sup>2</sup>

+Unless otherwise stated plugs are supplied with No. 28-21 packing

❖ Specification

Rated Voltage	220V AC	460V AC
Rated Current	30A	30A
Number of Pins	3(2-Pole+Earth) or 4(3-Pole+Earth)	4(3-Pole+Earth)
Rated Interrupting Capacity	5KA at 220V AC	2.5KA at 460V AC

❖ Standard Materials

- Switched Socket Housing : cast aluminium alloy
- Terminal Box : cast aluminium alloy
- Plug Casing : cast aluminium alloy

❖ Standard Finish

- MUNSELL No. 7.5BG 6/1.5
- If you want another color, contact us please.

❖ Flameproof EPR Plugs and Receptacles with Circuit Breaker 30 Amps

Rated Voltage (V)	Conduit Entry		Catalog No.		Weight (Kg)
	Position	Size	3-Pin	4-Pin	
220	Top	22(3/4")	EPR 3011	EPR 3021	9.2
		28(1")	EPR 3012	EPR 3022	
	Bottom	22(3/4")	EPR 3013	EPR 3023	9.2
		28(1")	EPR 3014	EPR 3024	
	Top and Bottom	22(3/4")	EPR 3015	EPR 3025	11.2
		28(1")	EPR 3016	EPR 3026	
460	22(3/4"), 28(1") Top, Bottom, or Top and Bottom		-	EPR 3027	11.2

\*For EPR 3027 (460 volts rating), specify position and size of conduit entries when ordering.

These are the combination of 30 amperes rating flameproof plugs and switched receptacles which contain a circuit breaker. The 3-pin(2 Pole + Earth)units are used for single phase load, and 4-pin(3 Pole + Earth)units for three phase load.

For 400 volts circuits, 4-pin plugs and receptacles carrying "460V" marking are also available, whose arrangement of pins is different from the standard units.

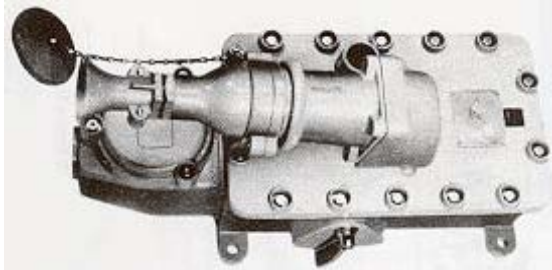
❖ Features

- The main enclosure of the switched receptacle has a socket outlet on the front cover and a operating handle on the side of the body. The terminal box is fitted to the top or bottom, or the both sides of the main body.
- The interlocking device is of handle operation type. The builtin circuit breaker is operated by the handle, and the plug can only be inserted or with drawn when the circuit breaker is in the open position.
- The plug is designed for heavy duty and incorporation a flameproof packing type cable gland.
- A screw-on blanking cap is provided for protecting the receptacle outlet.

## Plugs And Receptacles EPR 30A

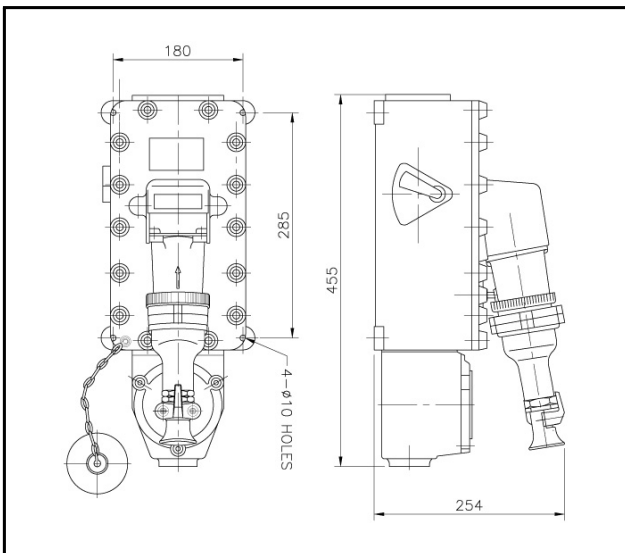
## Wet Locations

❖ Type of Explosion-proof  
Flameproof-Increase Safety (Ex de IIB T6)



< EPR 30A (31 Type) >

### ❖ Dimension



### ❖ Specification

	General Circuits	Motor Protection
Rated Voltage	120, 240 or 460V AC	240 or 460V AC
Rated Current, or Max. Motor output	30A	2.5kW at 220V 11kW at 440V
Number of Pins	3 (2-Pole+Earth), or 4 (3-Pole+Earth)	4 (3-Pole+Earth)
Operating time(max.)	100mS	100mS
Rated Interrupting Capacity	2.5KA at 415V AC	2.5KA at 415V AC

### ❖ Standard Materials

- Switched Receptacle Housing : Cast aluminium alloy
- Terminal Box : Cast aluminium alloy
- Plug Casing : Cast aluminium alloy

### ❖ Standard Finish

- MUNSELL No. 7.5BG 6/1.5
- If you want another color, contact us please.

### ❖ Selection Table of Rubber Packings for Cable Entries

Packing No.	Nominal Diameter of Cable	Suitable Chloroprene Sheathed Portable Power Cable, Class 3
28-18	16 to 18mm	3 core 2.0mm <sup>2</sup>
28-20	18 to 20mm	3 core 3.5mm <sup>2</sup> 4 core 2.0mm <sup>2</sup>
28-21	20 to 21mm	3 core 5.5mm <sup>2</sup> 4 core 3.5mm <sup>2</sup>
28-22	21 to 22mm	3 core 8 mm <sup>2</sup> 4 core 5.5mm <sup>2</sup>

### ❖ Flameproof EPR Plugs and Receptacles with Circuit Breaker 30 Amps

Rated Voltage (V)	General Circuits 4-Pin		Motor Protection 4-Pin		Weight(Kg)
	Rated Current	Catalog No.	Max. Motor Output (kW)	Catalog No.	
120	30	EPR 3111	-	-	10.5
240	30	EPR 3112	5.5	EPR 3115	
460	30	EPR 3113	11	EPR 3116	

Conduit entry-28(1") max. at top and/or bottom. Specify the position and size when ordering.

+ Form 'Motor Protection' unit, specify motor output as well.

Note-receptacles of different voltage rating cannot be used in common. The applicable voltage ranges of these receptacles are 80-120V for 120V rating, 160-240V rating and 20-460V for rating.

These are the combination of 30 amperes rating flameproof plugs and switched receptacles which contain a circuit breaker. The 3-pin(2 Pole + Earth)units are used for single phase load, and 4-pin(3 Pole + Earth)units for three phase load.

For 400 volts circuits, 4-pin plugs and receptacles carrying "460V" marking are also available, whose arrangement of pins is different from the standard units.

Plugs And Receptacles  
EPR 100A

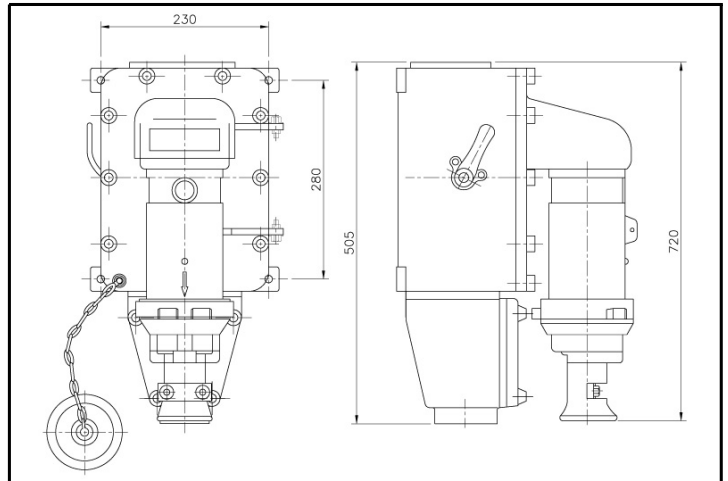
Wet Locations



< EPR 100A >

❖ Type of Explosion-proof  
Flameproof-Increase Safety (Ex de IIB T6)

❖ Dimension



❖ Flameproof EPR Plugs and Receptacles with Circuit Breaker 100 Amps

Rated Voltage (V)	Rated Current (A)	Entry Position	Catalog No.	Weight(Kg)
460AC 250DC	60	Top	EPR 6011	54
		Bottom	EPR 6012	
		Top and Bottom	EPR 6013	
	75	Top	EPR 7501	54
		Bottom	EPR 7502	
		Top and Bottom	EPR 7503	
	100	Top	EPR 10051	54
		Bottom	EPR 10052	
		Top and Bottom	EPR 10053	

❖ Standard Materials

- Switched Receptacle Housing : cast aluminium ally
- Terminal Box : cast aluminium ally
- Plug Casing : cast aluminium ally

❖ Specification

- Rated Voltage 460V AC.250V DC
- Rated Current 60, 75 or 100A
- Number of Pins 4 (3-Pole+Earth)
- Rate interrupting 20KA A at 220V AC
- Capacity 15KA A at 460V AC  
10KA A at 250V DC

❖ Standard Finish

- MUNSELL No. 7.5BG 6/1.5
- If you want another color, contact us please.

❖ Selection Table of Rubber Packings for Cable Entries

Packing No.	Nominal Diameter of Cable	Suitable Chlorprene Sheathed Portable power Cable, Class 3
54-37	33 to 37mm	4 core 22 mm <sup>2</sup>
54-41	37 to 41mm	
54-44	41 to 44mm	4 core 38 mm <sup>2</sup>

\* Unless otherwise stated plugs are supplied with No. 54-44 packing.

These are the combinations of 100amperes rating flameproof plugs and switched receptacles. Which contain a circuit breaker, and used for movable large motors and welding units.

The construction and operation of these plugs and receptacles are mostly same as 30 amperes rating EPR Plugs and Receptacle listed on page 79 except that the contacting part has more electrical capacity and different mechanism.