

Circuit Breaker Panelboards
EPDP Series

Wet Locations
NEMA 3,3R,4,4X,7

❖ Type of Explosion-proof
Flameproof (Ex d IIC T6)

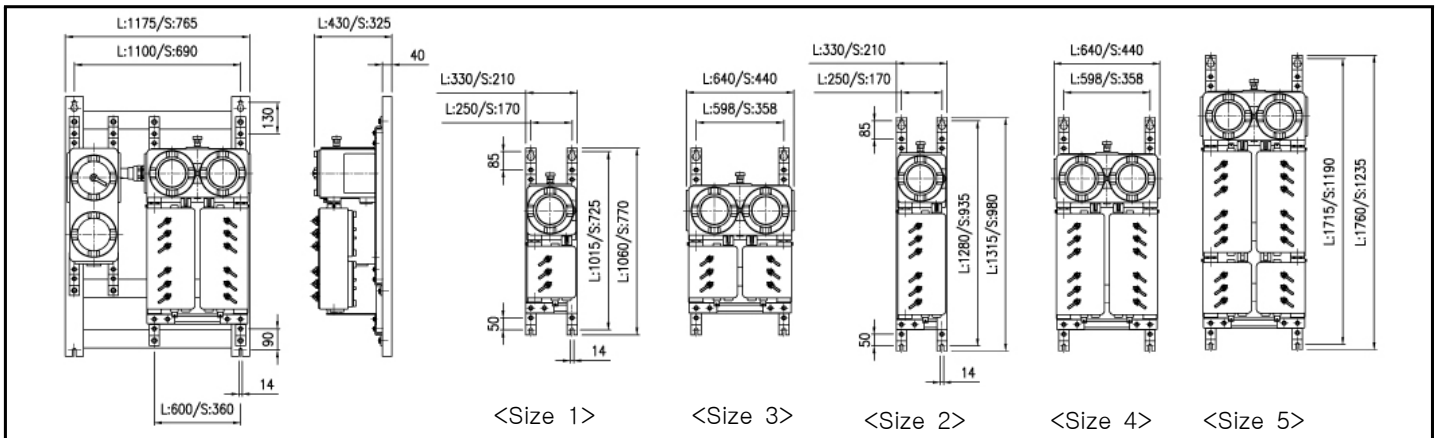
❖ Application

- Protection and control of lighting and power distribution in classified locations or in damp, wet, or corrosive conditions.
- Designed for use in manufacturing and processing areas where ignitable vapors, gases or highly combustible dusts are present.
- Panel size-accommodate from 6 thru 24 single-pole circuit breaker spaces.

❖ Standard Finish

- MUNSELL No. 7.5BG 6/1.5
- If you want another color, contact us please.

❖ Dimensions



❖ Features

- Housing pivots 180° for removal of breaker cover.
- Both junction and breaker compartments fully gasketed for raintight fit.
- No external branch seal fittings need-ed-factory sealed enclosures.
- Each branch circuit breaker is lockable in ON or OFF position.
- Circuit directory card-Clear plastic cover.
- Main feed conduit openings at both top and bottom of enclosure allow main feed entry at either center of enclosure.



❖ Breaker Amperage

- 15, 20, 30

❖ EPDP Explosion-proof Factory Sealed Panel Board

Panel Size	No. of Breaker			Catalog Number								
				Wiring System No.1 1Phase 2Wire		Wiring System No.2 1Phase 3Wire		Wiring System No.3 3Phase 3Wire		Wiring System No.4 3Phase 4Wire		
	1p	2p	3p	1pole	2pole	1pole	2pole	2pole	3pole	2pole	3pole	
1	6			EPDP1061		EPDP2061						
	8	4	2	EPDP1081	EPDP1042	EPDP2081	EPDP2042	EPDP3042	EPDP3023	EPDP4042	EPDP4023	
2	10	5		EPDP1101	EPDP1052	EPDP2101	EPDP2052	EPDP3052		EPDP4052		
	12	6	3	EPDP1121	EPDP1062	EPDP2121	EPDP2062	EPDP3062	EPDP3033	EPDP4062	EPDP4033	
3	14	7		EPDP1141	EPDP1072	EPDP2141	EPDP2072	EPDP3072		EPDP4072		
	16	8	4	EPDP1161	EPDP1082	EPDP2161	EPDP2082	EPDP3082	EPDP3043	EPDP4082	EPDP4043	
4	18	9		EPDP1181	EPDP1092	EPDP2181	EPDP2092	EPDP3092		EPDP4092		
	20	10	6	EPDP1201	EPDP1102	EPDP2201	EPDP2102	EPDP3102	EPDP3063	EPDP4102	EPDP4063	
5	22	11		EPDP1221	EPDP1112	EPDP2221	EPDP2112	EPDP3112		EPDP4112		
	24	12	8	EPDP1241	EPDP1122	EPDP2241	EPDP2122	EPDP3122	EPDP3083	EPDP4122	EPDP4083	
6		14			EPDP1142		EPDP2142	EPDP3142		EPDP4142		
		16	10		EPDP1162		EPDP2162	EPDP3162	EPDP3103	EPDP4162	EPDP4103	
7		18			EPDP1182		EPDP2182	EPDP3182		EPDP4182		
		20	12		EPDP1202		EPDP2202	EPDP3202	EPDP3123	EPDP4202	EPDP4123	
8		22	14		EPDP1222		EPDP2222	EPDP3222	EPDP3143	EPDP4222	EPDP4143	
		24	16		EPDP1242		EPDP2242	EPDP3242	EPDP3163	EPDP4242	EPDP4163	